

INSTALLATION MANUAL








Kitchen Sinks



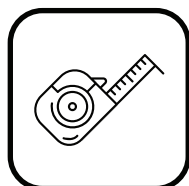
Streamline

PRIOR TO INSTALLING



	<p>THESE PRODUCTS MUST BE INSTALLED BY A FULLY INSURED AND LICENSED INSTALLER ONLY.</p> <p>Installation of any product by anyone other than fully insured and licensed installer shall void limited warranty. We are not responsible for any local code compliance for this product.</p>
	<p>BUILDING AND PLUMBING CODES MAY VARY STATE-TO-STATE.</p>
	<p>STREAMLINE SHALL NOT BE HELD LIABLE FOR ANY AND ALL INCIDENTAL DAMAGES OR FLOOD CAUSED DUE TO USE OF THIS PRODUCT.</p>
	<p>STREAMLINE SHALL NOT BE RESPONSIBLE FOR SINK AND COUNTERTOP DAMAGE DURING INSTALLATION.</p>
	<p>STREAMLINE SHALL NOT BE HELD LIABLE FOR ANY AND ALL FEES STEMMING FROM COST OF INSTALLATION, RE-INSTALLATION, REMOVAL, SUBSEQUENT DAMAGE, OR TRANSPORTATION IN A CASE OF A PRODUCT DEFECT.</p>
	<p>DUE TO THE FRAGILE NATURE OF THE PRODUCT, INSPECTION OF THE BOX AND THE PRODUCT IS NECESSARY PRIOR TO INSTALLATION.</p>
	<p>SHOULD YOU FIND ANY DAMAGES OR ISSUES WITH THE PRODUCT, PLEASE CONTACT US AT support@streamlinebath.com WITH PHOTOS AND YOUR PURCHASE ORDER NUMBER.</p>

TOOLS REQUIRED



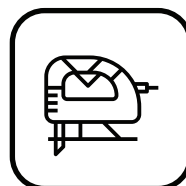
MEASURING TAPE



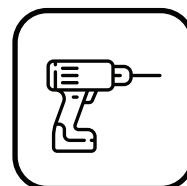
PENCIL



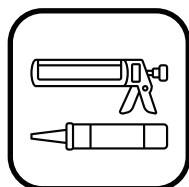
SAFETY GLASSES



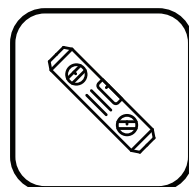
JIGSAW



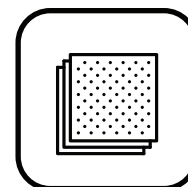
DRILL



SILICONE



LEVEL BAR



SANDPAPER

WHAT'S IN THE BOX



SINK



STRAINER



GRID

INSTALLATION



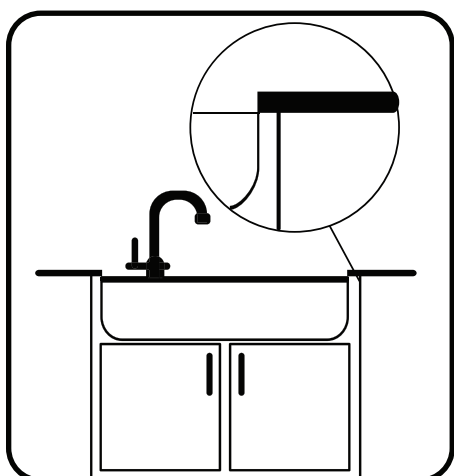
Prior to receiving the kitchen sink, please refer to our specification sheet for the item. These will provide accurate dimensions within a ± 3 mm threshold of the product and assist in planning for the installation of the item.

Due to the custom nature of both the installation and the product, we do not provide a cut-out sheet. Instead, we recommend determining which installation method is preferred and taking accurate measurements of the space to plan accordingly. Keep in mind, there must be adequate space left inside and around the kitchen cabinet for garbage disposal, faucet lines, etc. Planning ahead of time and considering all items to be installed in the kitchen cabinet will allow you to determine if custom cabinetry as well as a custom countertop may be required. Please consult with an experienced cabinet maker should you have questions.

DO NOT CUT THE CABINET PRIOR TO RECEIVING THE PRODUCT.

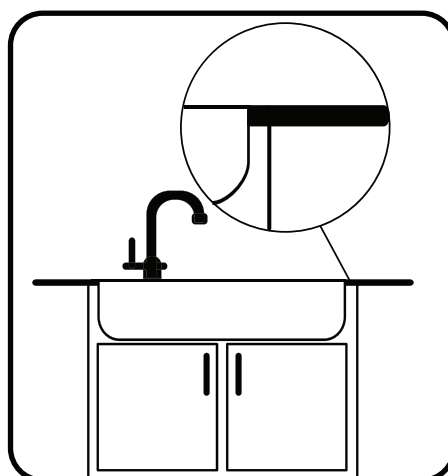
Prior to installing, it is best to discuss the type of installation that would fit the desired space, both aesthetically and practically. There are 3 different options for installing farmhouse kitchen sinks:

UNDER-MOUNT



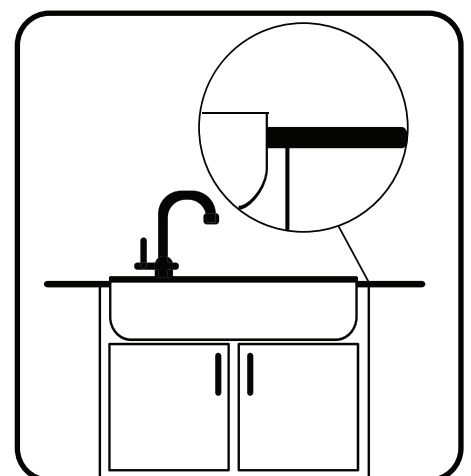
The front of the sink is installed beneath the counter

FLUSH-MOUNT



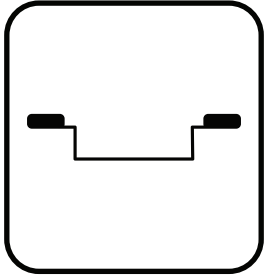
The front of the sink is installed in-line with the countertop

TOP MOUNT



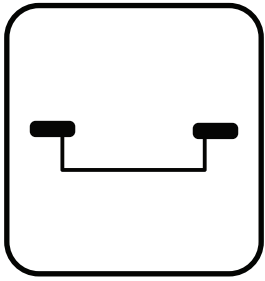
The front of the sink is installed elevated above the countertop

Having determined the installation method, the next step is to determine in what manner the countertop should be placed:



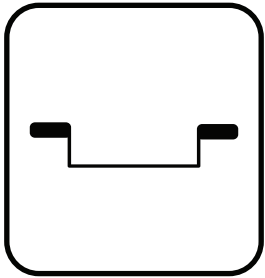
POSITIVE SINK REVEAL

This is when the countertop is cut with enough space to allow for the edges of the sink to be visible.
This is the easier method.



NEGATIVE SINK REVEAL

This is when the countertop is extended over the edges of the sink.
Typically, the overhang is 1/8" to 1/4".



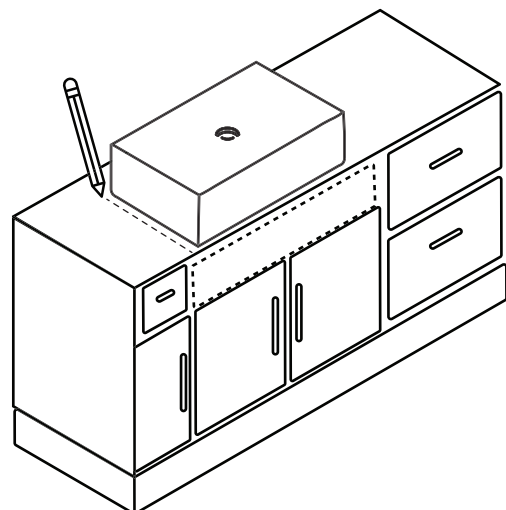
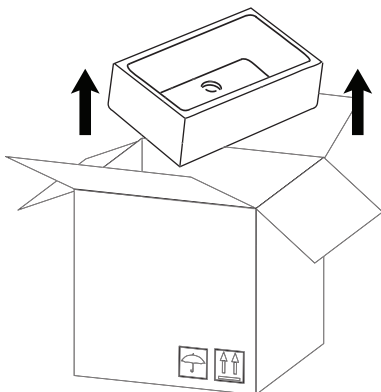
ZERO SINK REVEAL

The countertop is cut in line with the sink and sits flush with the inside of the sink.
The edges are perfectly aligned.

It will be crucial to determine whether you would like the apron of the farmhouse sink to sit flush with the cabinet or slightly extend out. The sink may be extended out a maximum of 1¼" from the cabinet. Check with your professional installer and cabinet maker if this is possible with your specific kitchen cabinetry.

STEP 1

Proceed to remove the sink out of its box. Lift the sink and turn it upside down and place it on the countertop to trace the measurements of the cutout. It is crucial that the measurements are exact.

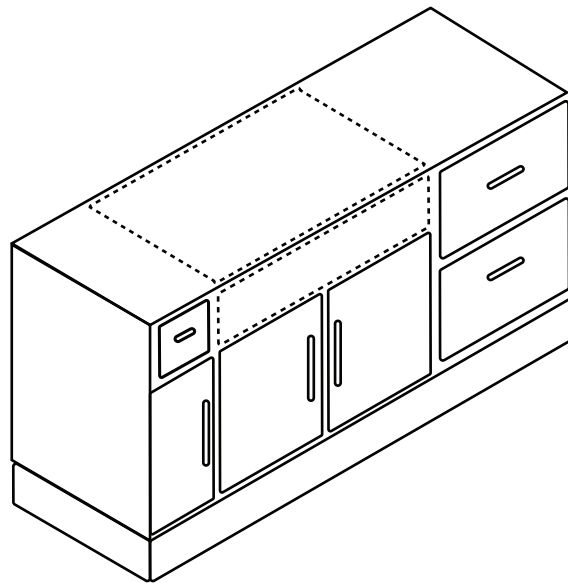


STEP 2

Cut the front of the cabinet according to the tracing. Make sure to sand down the interior wall openings of the cabinet to ensure that no damage occurs to the sink.

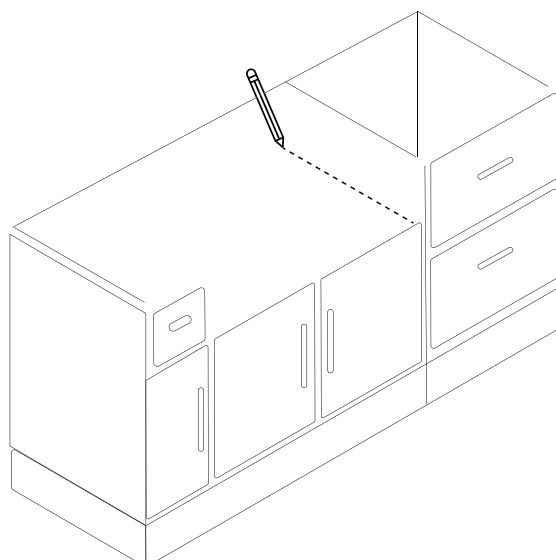
Farmhouse sinks require a support frame because of their weight and installation method. Support types can be customized and made to accommodate different kitchen cabinets. Solid wood is recommended in creating the support frame. Due to the variety of installation methods as well as the custom nature of kitchen cabinetry, we cannot suggest a specific design for the support frame. However, the frame must be able to withstand a minimum 300 lb. weight.

The below example is just a common method of installation that accommodates most kitchen cabinets. This is NOT a required nor preferred method of creating a support frame for our products, but rather an illustrative guide.



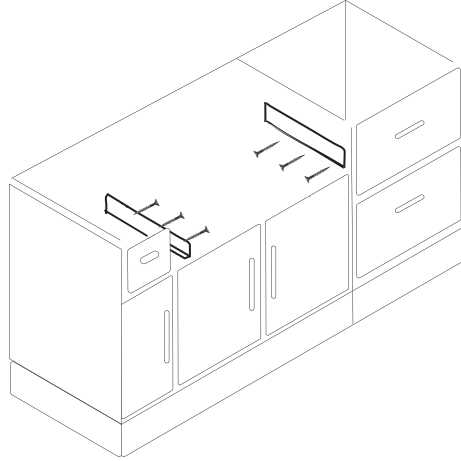
STEP 3

Having already cut the front of the cabinet according to the tracing, take a pencil and mark on the inside of the cabinet walls where the base of the sink will sit. Double check to see that the sink aligns properly with the method of installation that you have chosen (under-mount, flush mount, or top mount). Ensure to double check this and measure with a level bar.



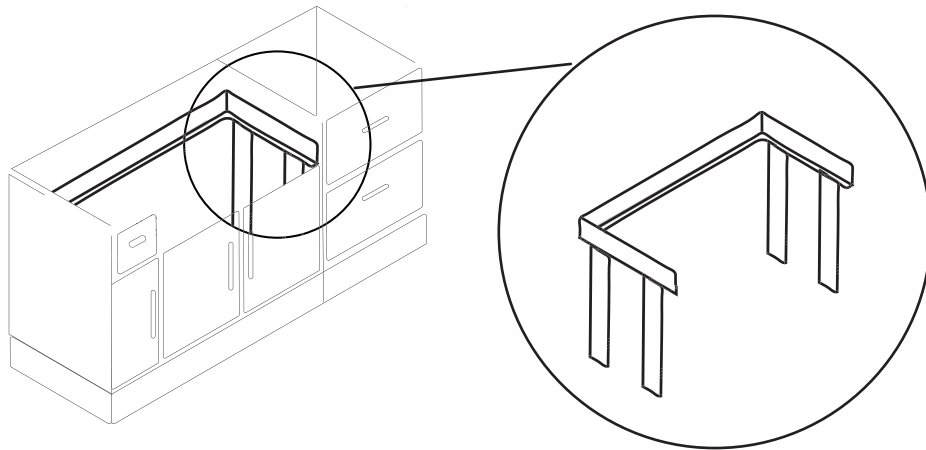
STEP 4

Next, take your 2x4's and install them on the left and right side of the interior of the kitchen cabinet. Make sure to use screws that will not drill completely through to the opposite side of the cabinet as this could cause aesthetic and structural damage.



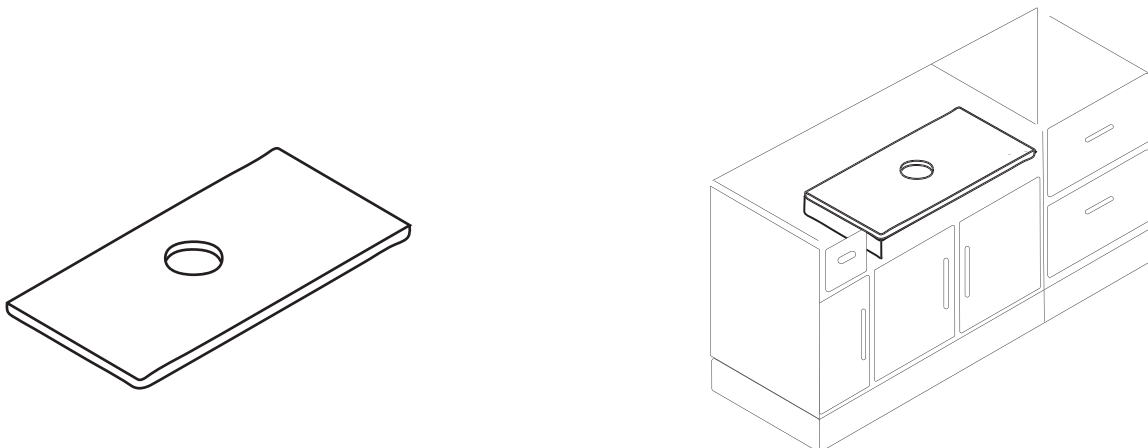
STEP 5

Create support frames below the 2x4's to ensure a rigid structure has been created. Depending on the structure and composition of the kitchen cabinet, an alternative reinforcement can be made on the back of the interior kitchen cabinet.



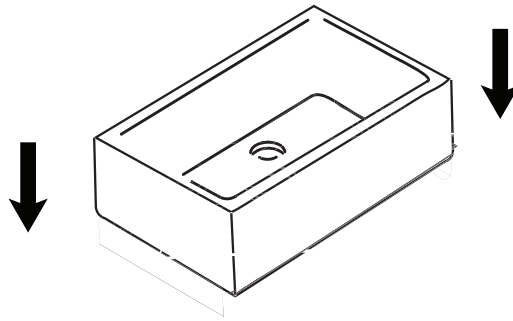
STEP 6

Next, cut a piece of plywood on which the farmhouse sink will be sitting on. Make sure to measure and cut any drain holes for plumbing connections.



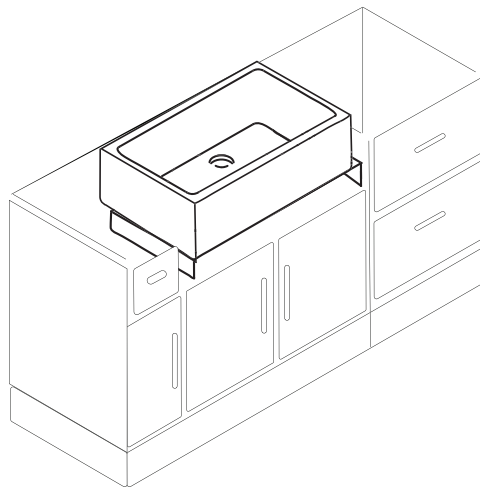
STEP 7

Test the structure by gently placing the sink onto the support. Ensure that the sink is sitting level and the created support frame can withstand the weight of the sink.



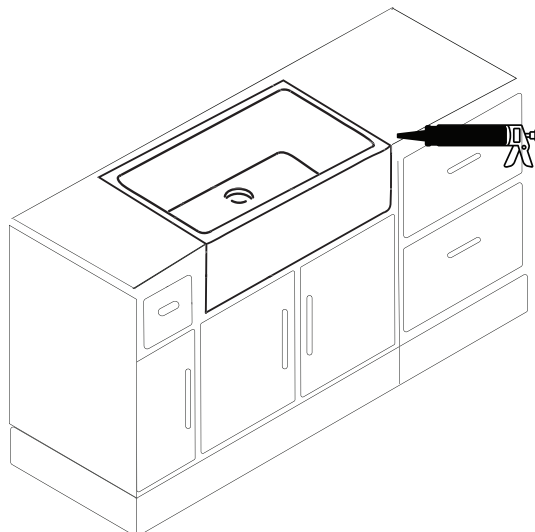
STEP 8

Having created the support frame, the next step will be to place the sink into the cutout space. Using 2 people, gently lift and carry the sink, making sure that the kitchen sink sits snug in the cutout space.



STEP 9

Having verified this, place the sink into the cutout space. Apply silicone sealant around the top of the sink and countertop. Wipe away any excess silicone. Check the surrounding space to make sure that the sink is sitting level with the cabinet.



STEP 10

If you have bought any kitchen faucets or drainage systems, this would be the time to connect and install these items as per the manufacturer's installation instructions.