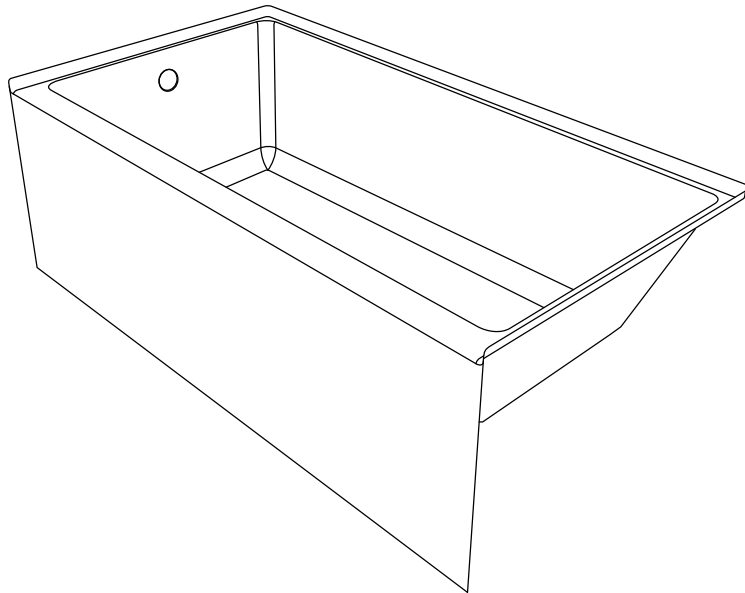


PORCELAIN-ENAMELED STEEL ALCOVE BATHTUB

OWNER'S MANUAL & INSTALLATION GUIDE



READ ENTIRE INSTALLATION GUIDE PRIOR TO INSTALLING THE BATHTUB

This bathtub should only be installed by a certified plumber
Two people are required to lift the bathtub

For installation and assembly videos, please visit our website
www.streamlinebath.com

OR

our YouTube page by searching for
"Streamline Bath"

OR

following the below link to our channel:

<https://www.youtube.com/channel/UCII7TGMbkwoGSqzo-pGfaJw>

CAUTION!



**TWO PERSON
LIFT REQUIRED**

TABLE OF CONTENTS

1.	Prior To Installation	3
2.	Required Tools	5
3.	Required Materials	6
4.	What's In The Box	7
5.	Bathtub Installation Instructions	8
6.	Drain Installation Instructions	33
7.	Warranty	37
8.	Use & Care Guide	39

1. Prior To Installation

To Our Valued Customers,

We wanted to take a moment to express our sincere gratitude for choosing our bathtub for your bathroom. Your recent purchase is greatly appreciated, and we are delighted to have you as our valued customer.

At Streamline, we strive to provide the highest quality products, and we are confident that our bathtub will exceed your expectations in terms of both functionality and style. We have put in great effort to ensure that our bathtub enhances your bathing experience while adding an elegant touch to your bathroom.

We would like to assure you that our dedicated team is always here to assist you with any questions or concerns you may have regarding the installation or maintenance of your new bathtub. Your satisfaction is our top priority, and we are committed to delivering excellent customer service throughout your journey with us.

Once again, we genuinely appreciate your trust in our brand and your decision to choose our bathtub. We hope it brings you years of enjoyment and satisfaction. If there is anything we can do to further assist you, please do not hesitate to reach out to us.

Thank you for being a valued customer.

Warm regards,

The Streamline Team

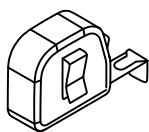
- These products must **ONLY** be installed by a fully insured and licensed plumber.
- Installation of the product by anyone other than a fully insured and licensed plumber shall **void** the limited warranty.
- Make sure to check the entire bathtub for any concealed damage before installation. If there is damage, **DO NOT INSTALL THE PRODUCT!** Contact Streamline customer service immediately. Streamline does not assume responsibility for damage that occurs during transit. The warranty does not cover damage or defects that could have been identified before installation and were not reported until after installation has been completed.
- Building and plumbing codes may vary from state to state.
- Streamline is **not responsible** for any local code compliance for this product.
- The floor under the bathtub must support the combined weight of the tub, water, and user.
- Streamline shall **not** be held liable for any and all incidental damages or floods caused due to the use of this product.
- Measurements may deviate by $\pm 1/4$ " from the original specifications.
- Please be advised that the warranty does **not** cover product failures resulting from improper installation.
- Please note that any damage, including chips and scratches, that occurs at the job site is excluded from the warranty coverage.
- Properly installing waste and overflow components is the sole **responsibility** of the installer. Streamline does **not** provide warranty coverage for leaks associated with improper waste and overflow installation.
- Streamline is **not** liable for defects or issues that arise or could have been prevented by inspecting and testing all plumbing connections for leaks before completing the installation.
- Streamline shall **not** be held liable for any and all fees stemming from the cost of installation, re-installation, removal, subsequent damage, or transportation in the case of a product defect. Streamline shall **not** be held responsible for defects or damage that could have been discovered, repaired, or avoided by inspection and testing before installation. The tub **must** be checked upon delivery.
- Before finalizing installation, **ensure** all plumbing connections are tested, checked for leaks, and undergo an overflow water test. Streamline will **not** be held responsible for defects or issues that arise from neglecting this crucial step.

- **Avoid** lifting the bathtub by the plumbing. Always use the bathtub deck for lifting purposes.
- Please **refrain** from overfilling the bathtub. Filling it **beyond** $\frac{2}{3}$ capacity can result in overflow and create slippery conditions when entering the tub.
- **Ensure** that the floor is level and in good condition. An uneven surface may hinder the tub's correct installation.
- **Clear** any debris or trash from the installation area.
- **Do not** place the bathtub directly on surfaces prone to dampness or moisture.
- This bathtub is designed for an alcove installation **ONLY**.

2. Required Tools



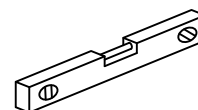
Silicone



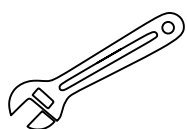
Measuring Tape



Pencil



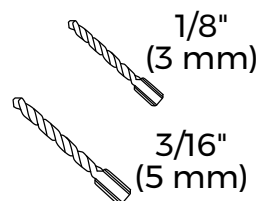
Level Bar



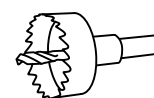
Adjustable Key



Electric Drill



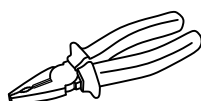
Drill Bits



Hole Saw



Screwdriver

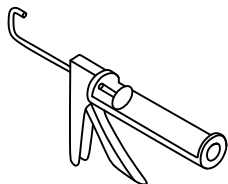


Pliers



Safety Glasses

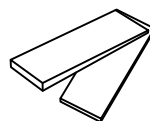
3. Required Materials



Caulk Gun



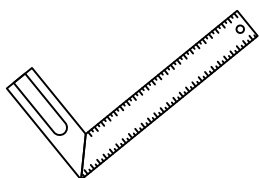
Mortar



Shims



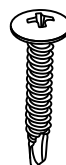
Cloth



Square



Silicone Sealant



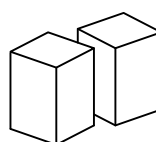
No 8 x 1 1/4"
Screws



Wood Wedges

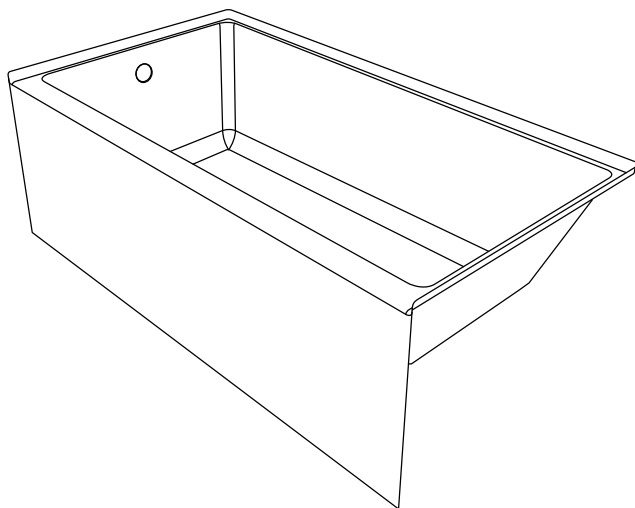


Water-Resistant
Glue

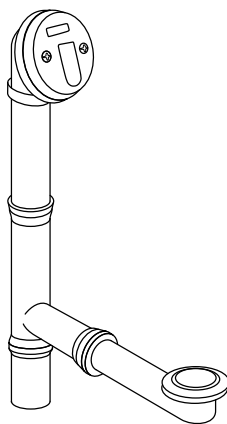


Wood Blocks

4. What's In The Box



Bathtub

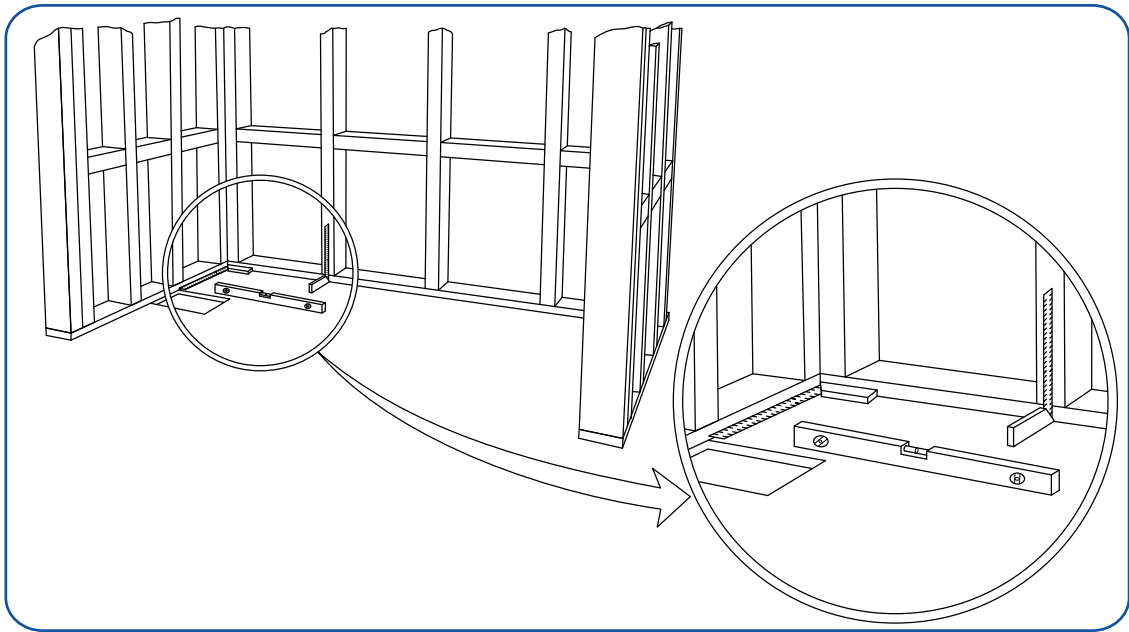


Drain

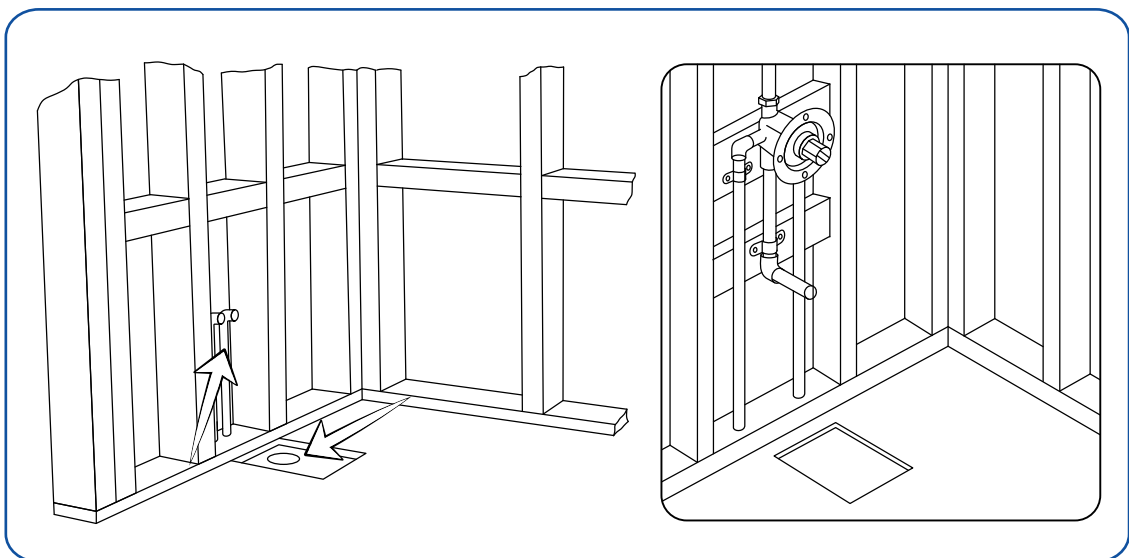
Drain comes included in a separate box

5. Installation Instructions

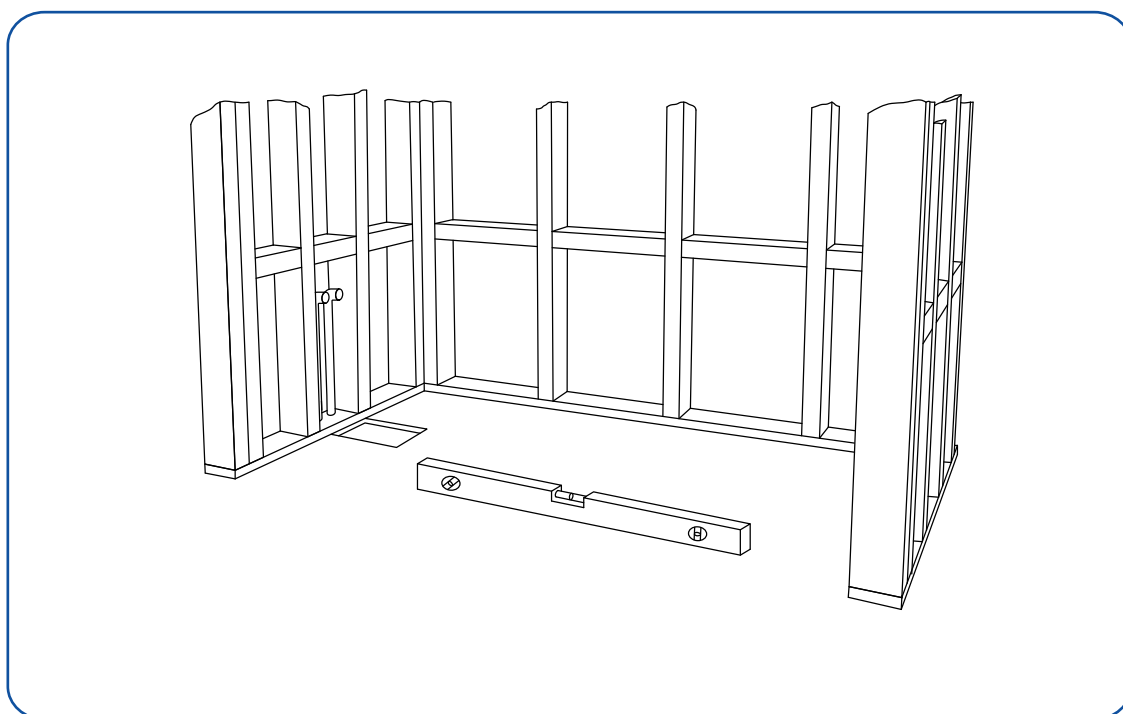
1. Frame the installation site using 2" x 4" or 2" x 6" lumber. Ensure a plumb stud pocket with studs that are square and upright. Consult the specification sheet for detailed measurements of the bathtub. **ALWAYS CONFIRM STRUCTURE MEASUREMENTS WITH THE ACTUAL UNIT FOR A PRECISE FIT.**



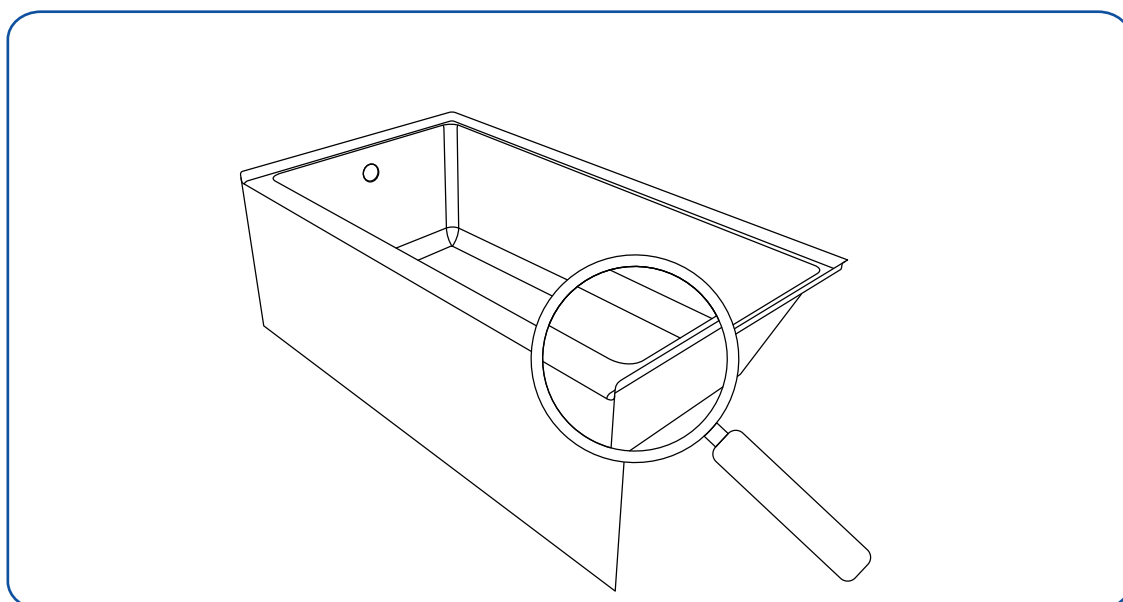
- a. While constructing the plumbing stud pocket, please consider access to the drain and faucet connections, as well as the dimensions and thickness of the eventual wall material.
2. A certified plumber should handle the rough-in plumbing before bathtub installation.



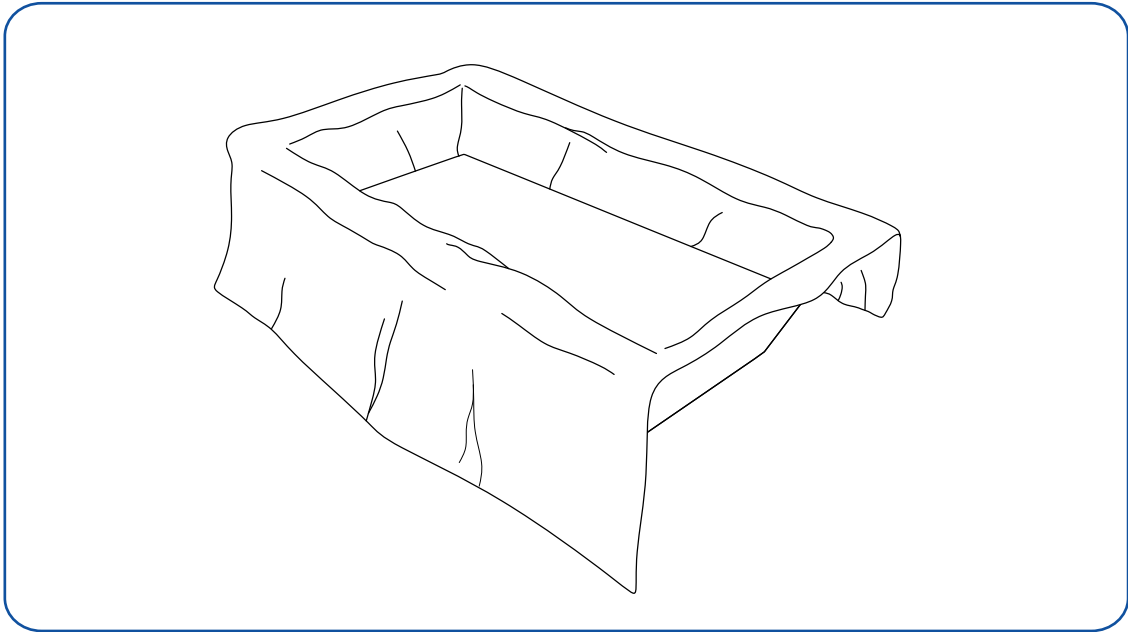
3. Ensure that the floor is level before beginning the installation process.



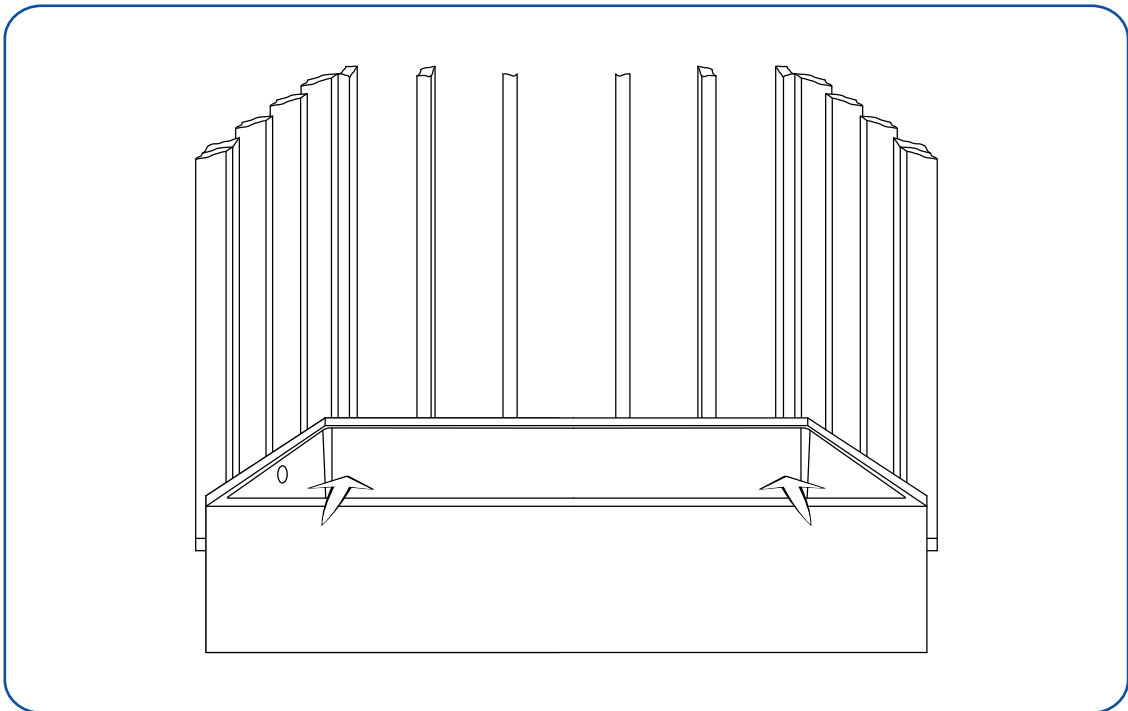
4. Unpack the bathtub and check for any potential damage. If you detect any damage during examination, refrain from installing the bathtub. Reach out to Streamline customer service immediately for further assistance.

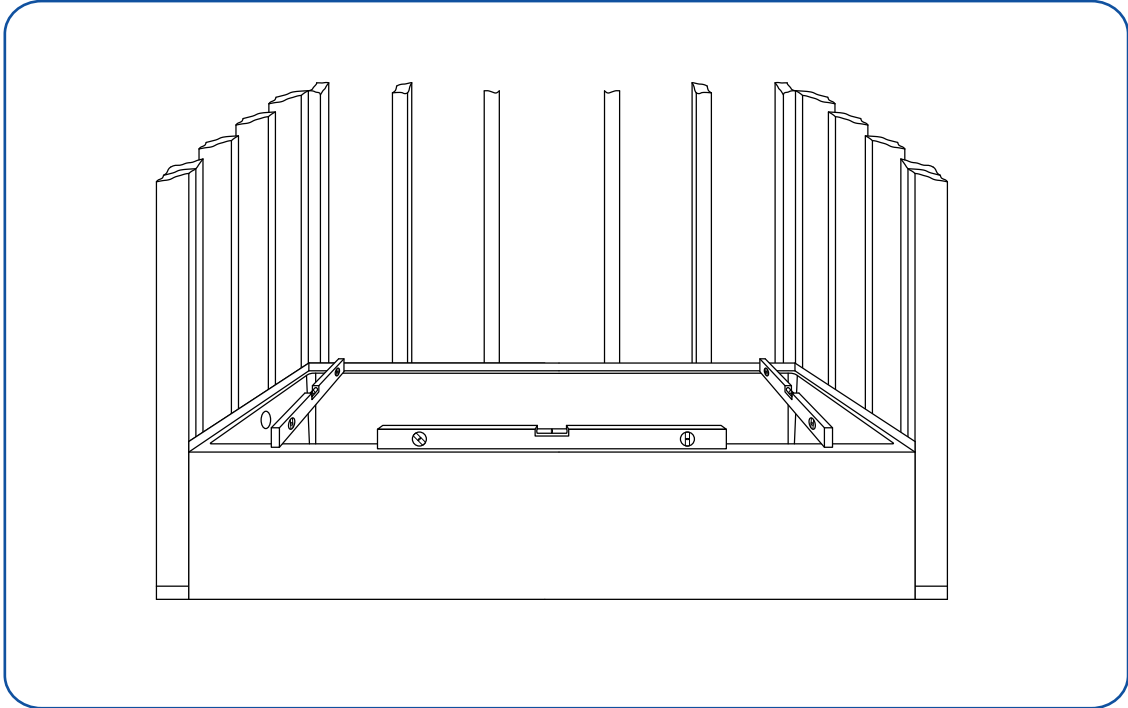


5. Handle the bathtub with the utmost care. Lay a protective sheet over the bathtub to shield it from potential harm. Trim a section from the box and place it inside the bathtub for protection against potential damage.

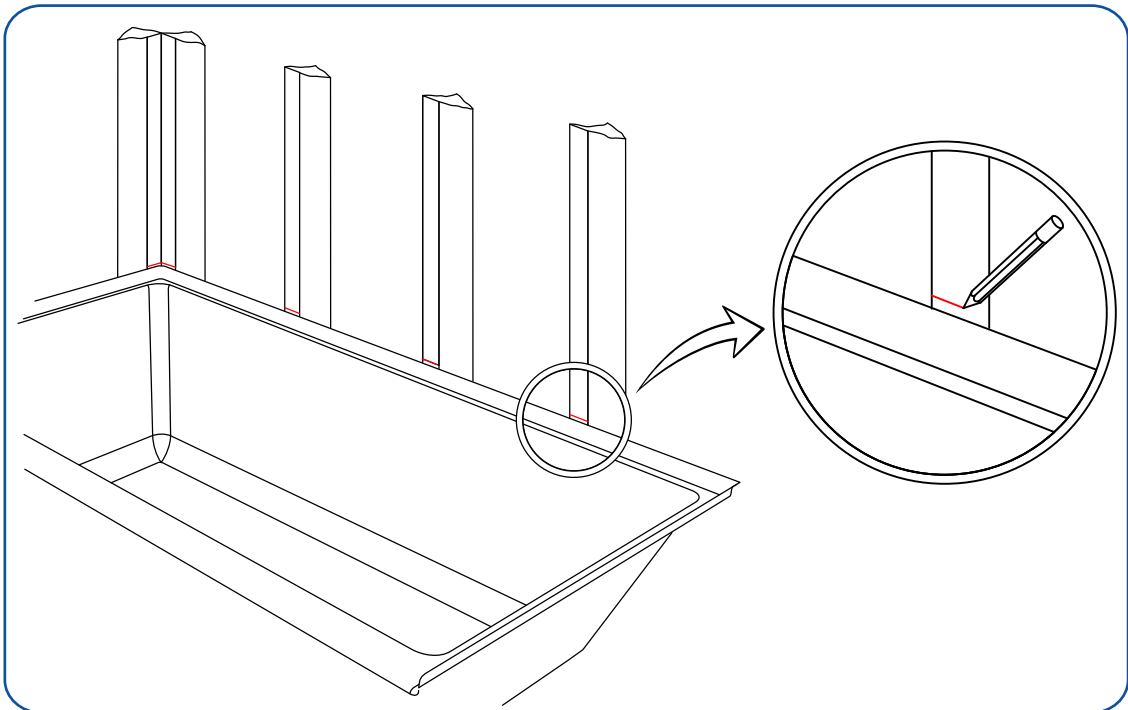


- a. Ensure the tub is always safeguarded from construction damage by utilizing a protective cover.
6. Position the bathtub in the alcove, ensuring the front skirt rests solidly on the floor. The tub should be level; verify this by placing a level on the ledges at both ends and side to side.

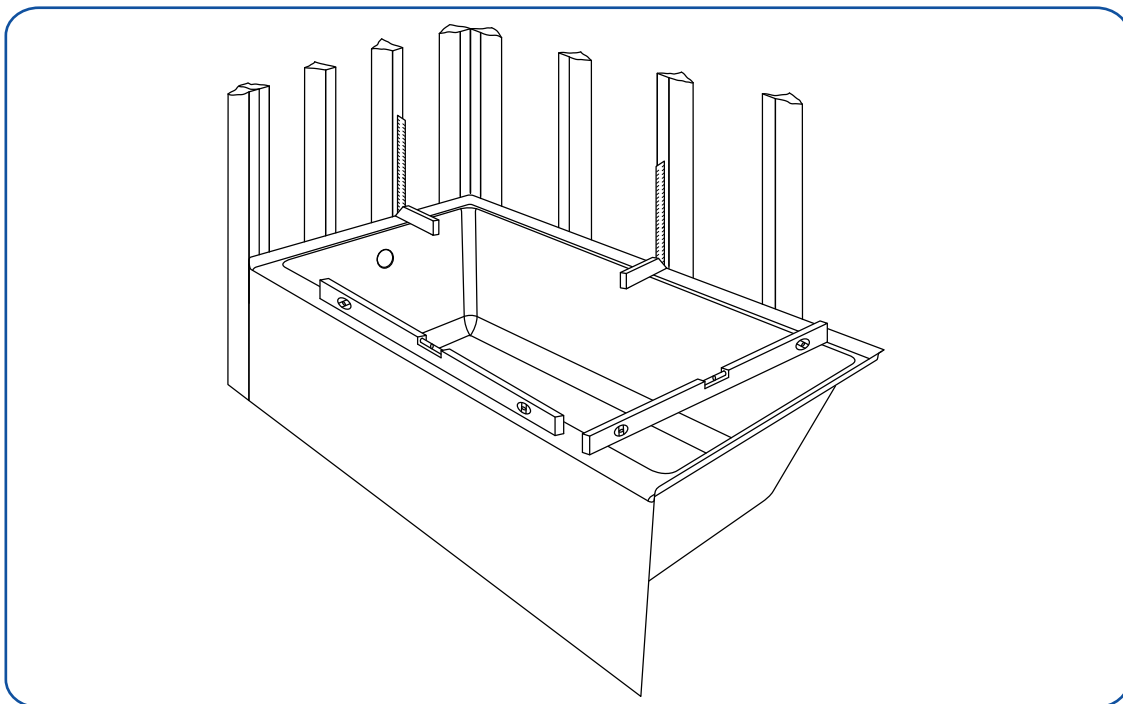




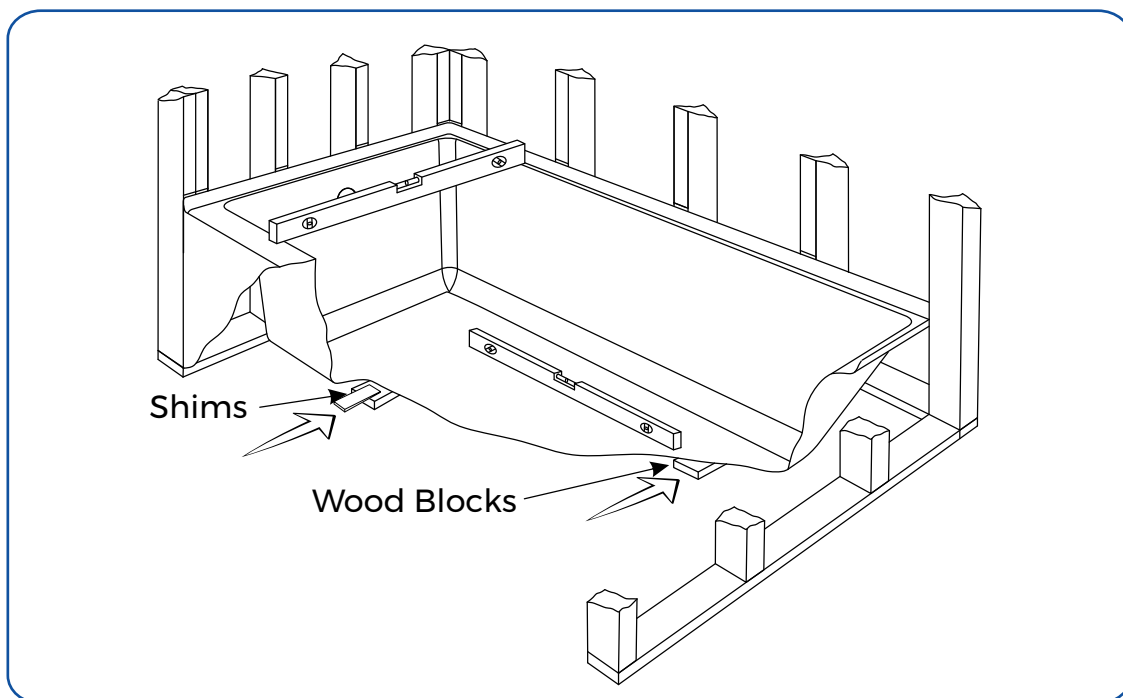
7. Mark the drain's position and the overall height of the bathtub on each stud located above the back horizontal integrated tiling flange.



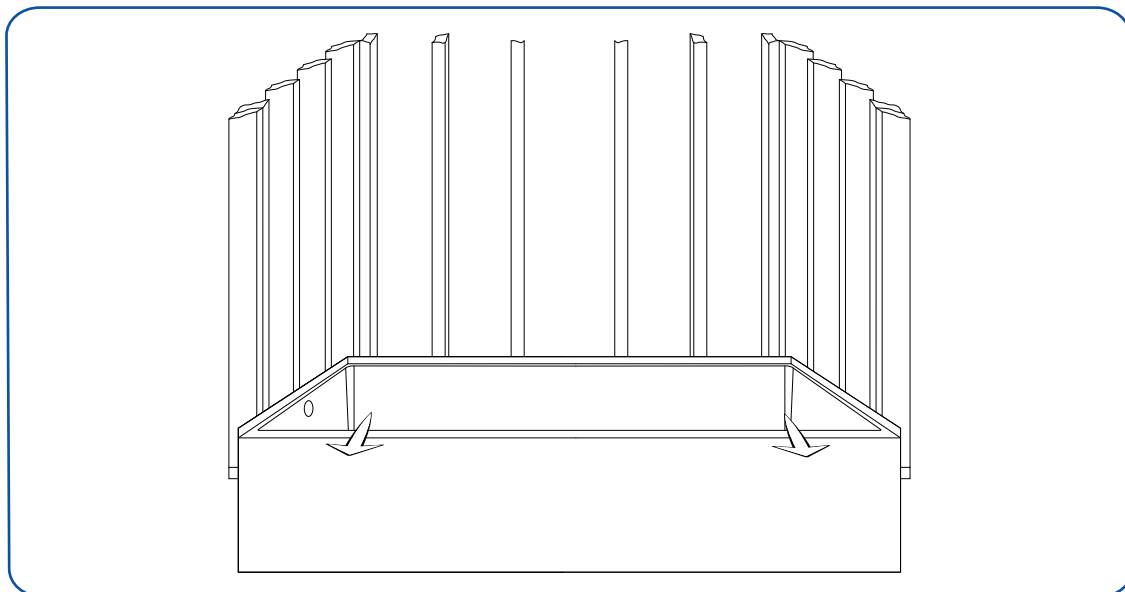
8. Confirm that the dimensions are accurate and that the pocket is plumb and square.



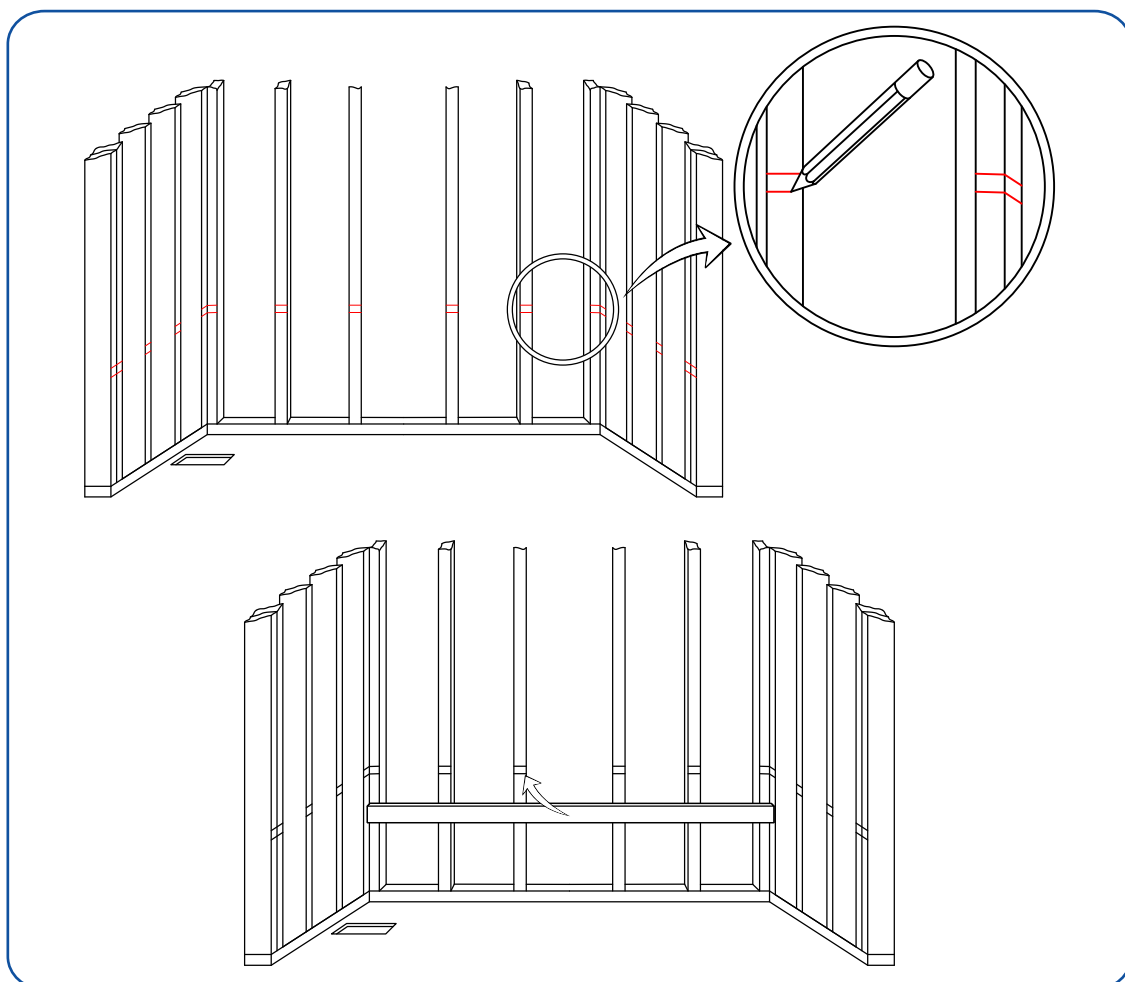
- a. If the bathtub is not level once positioned in the alcove, please explore alternative leveling methods, such as utilizing wood shims or wood blocks.

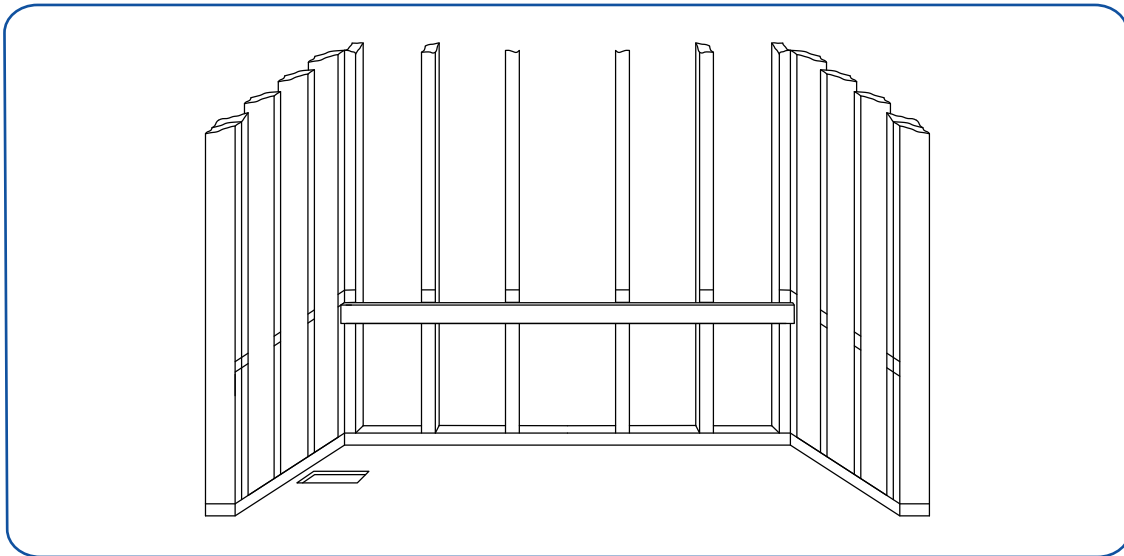


9. Remove the bathtub from the alcove.

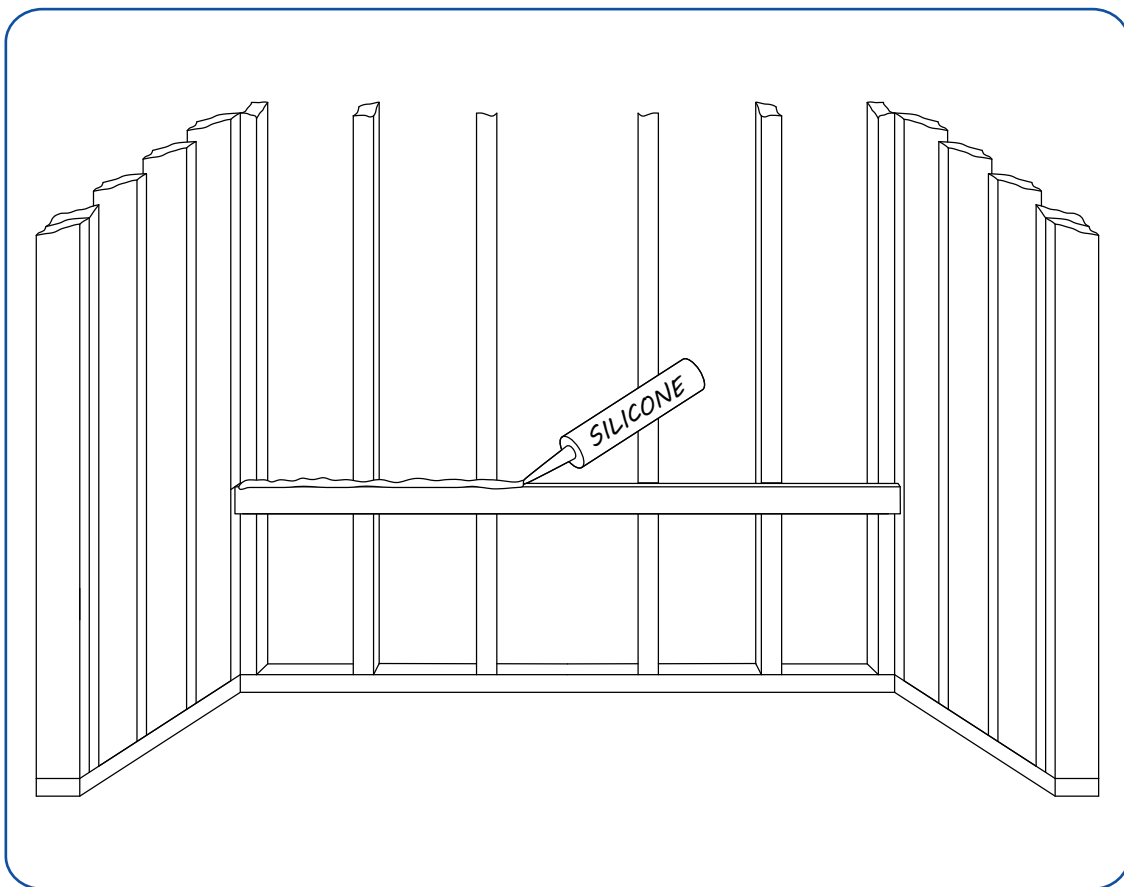


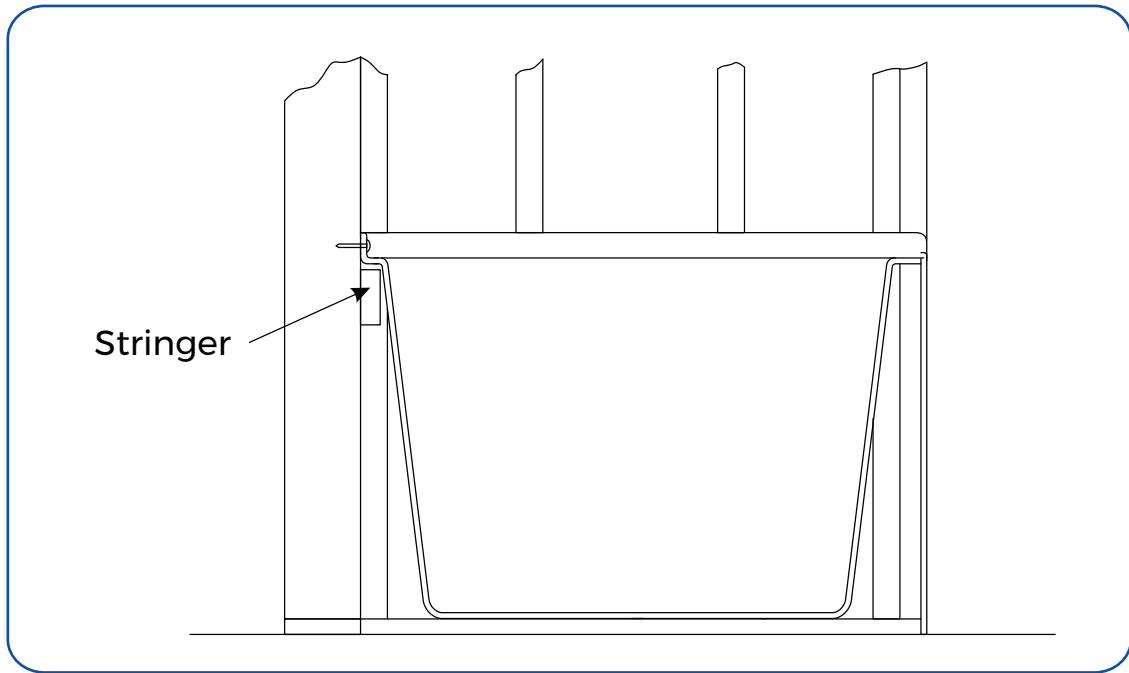
10. Starting from the previously marked overall height, measure and make a mark just below, indicating the appropriate height for the leveling stringer. This stringer will provide additional support beneath the tiling flange when securely attached to the stud wall.



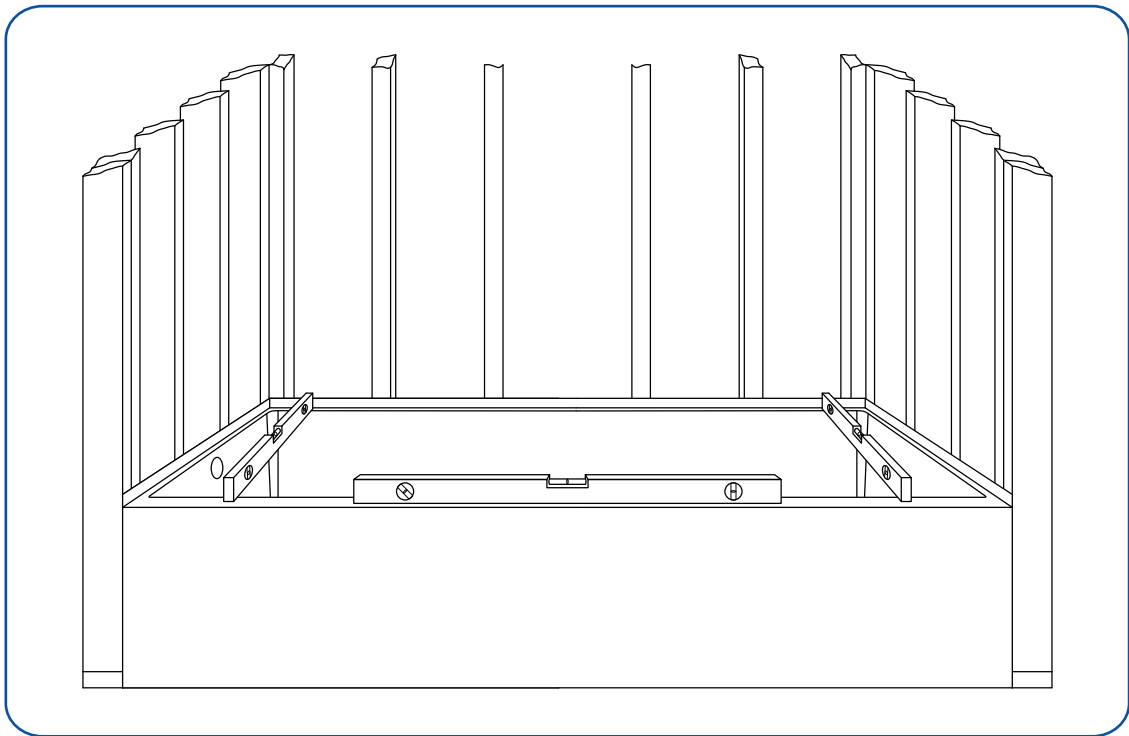


- a. Before attaching the leveling stringer, pre-drill holes to accommodate the mounting screws. Use a 2"x4", 1"x4", or 1"x3" stringer and secure in place.
- b. Apply silicone to the top of the ledger board to ensure the bottom of the bathtub tiling flange firmly attaches.
- c. Ensure the wood stud and the floor support the bathtub, **NOT** just the leveling stringer beneath the tiling flange.

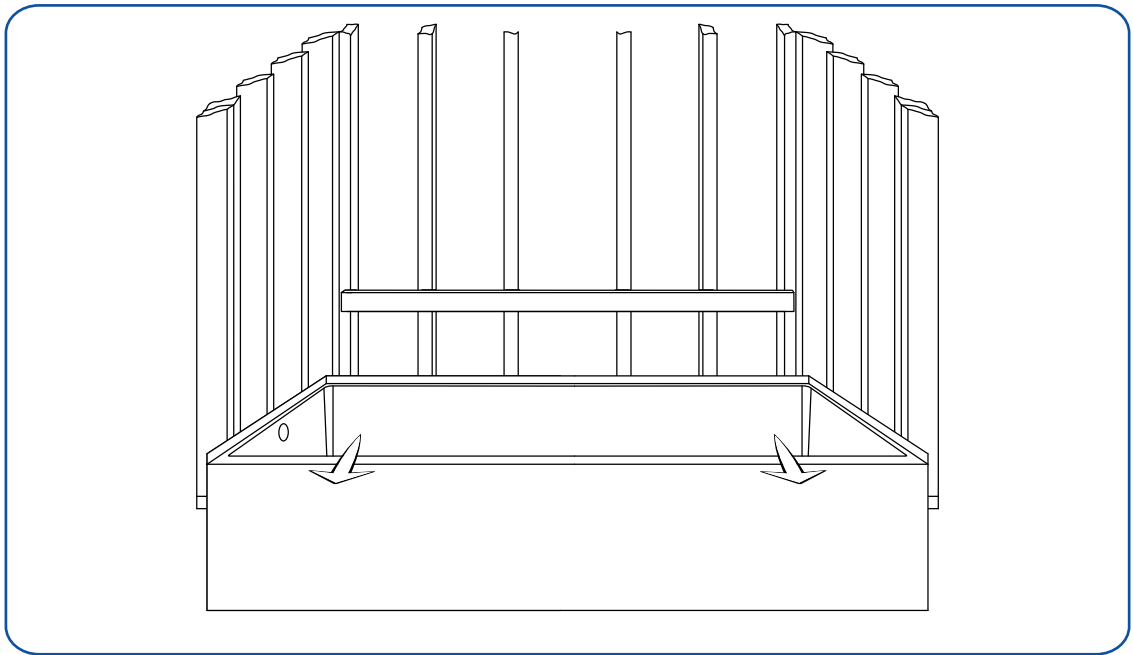




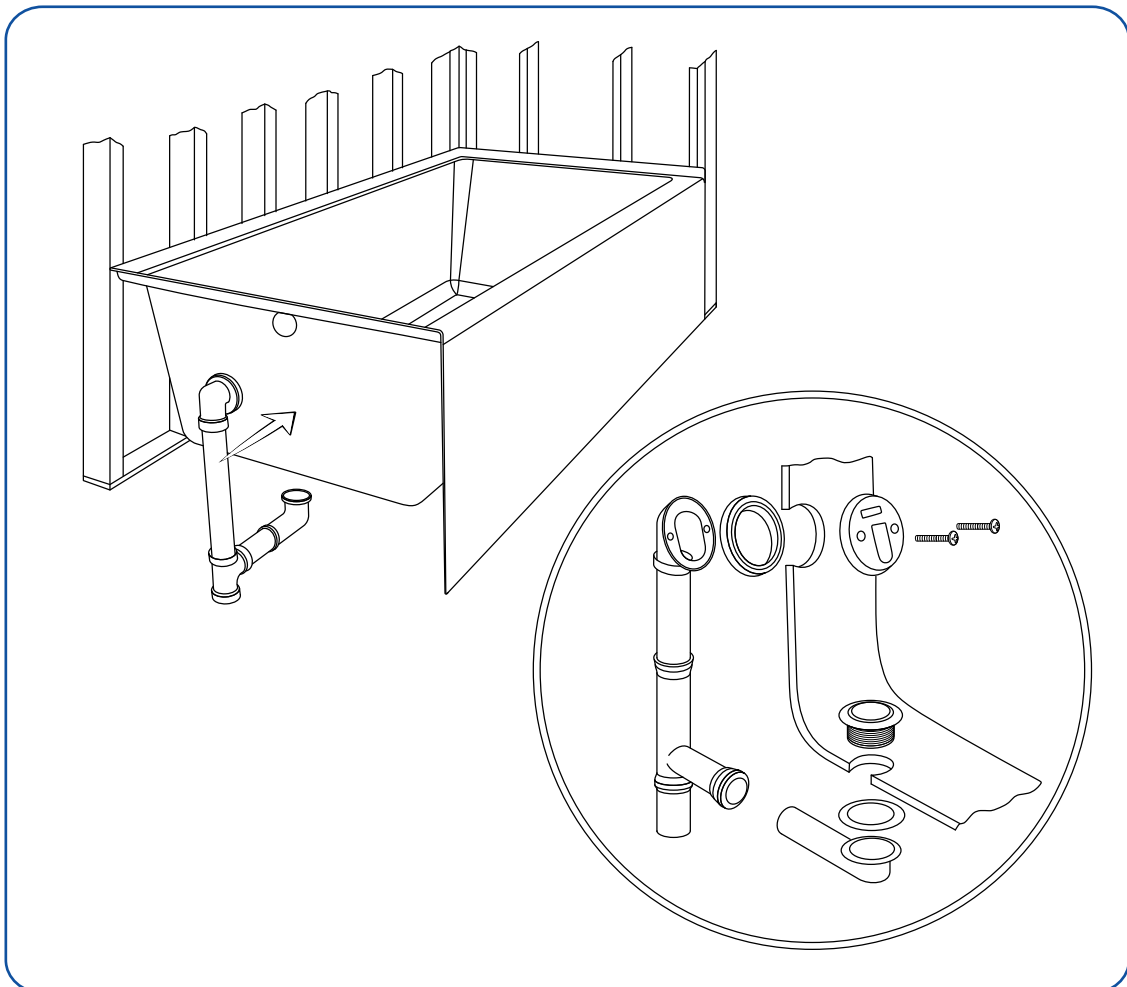
11. Dry fit the bathtub in the plumb socket and check again for level.

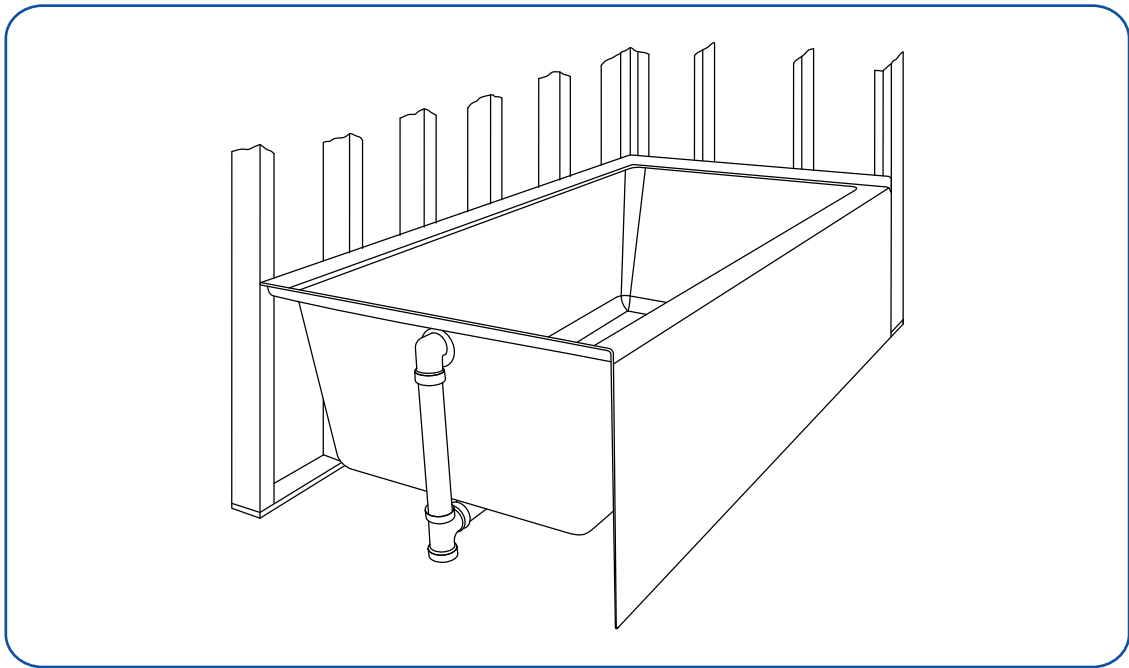


12. Remove the bathtub from the alcove.



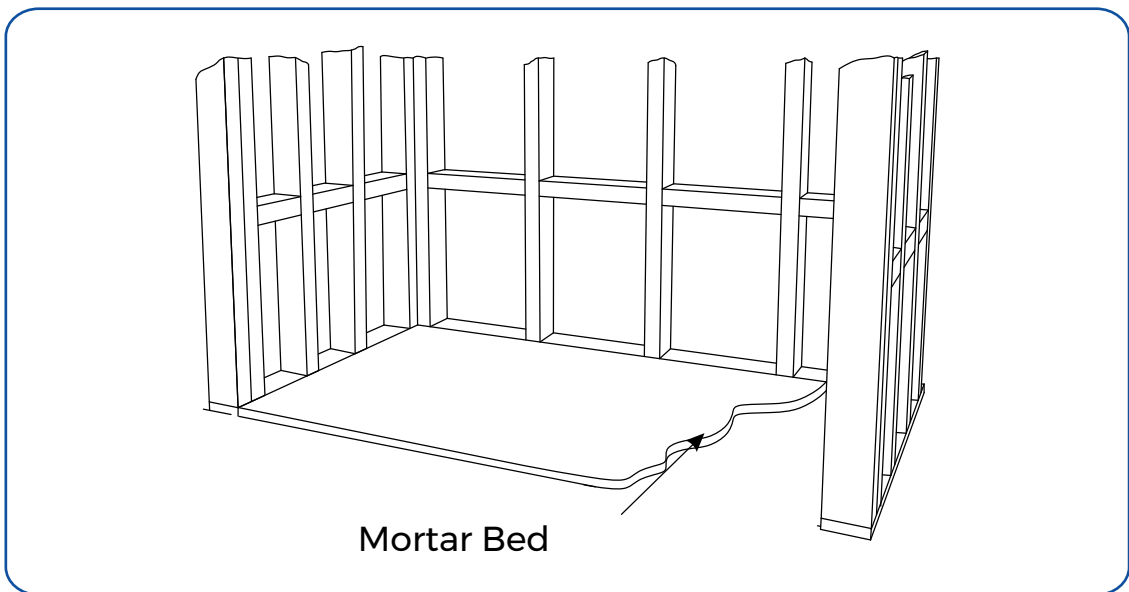
13. Follow the manufacturer's instructions carefully when installing the overflow and drain assembly onto the bathtub.





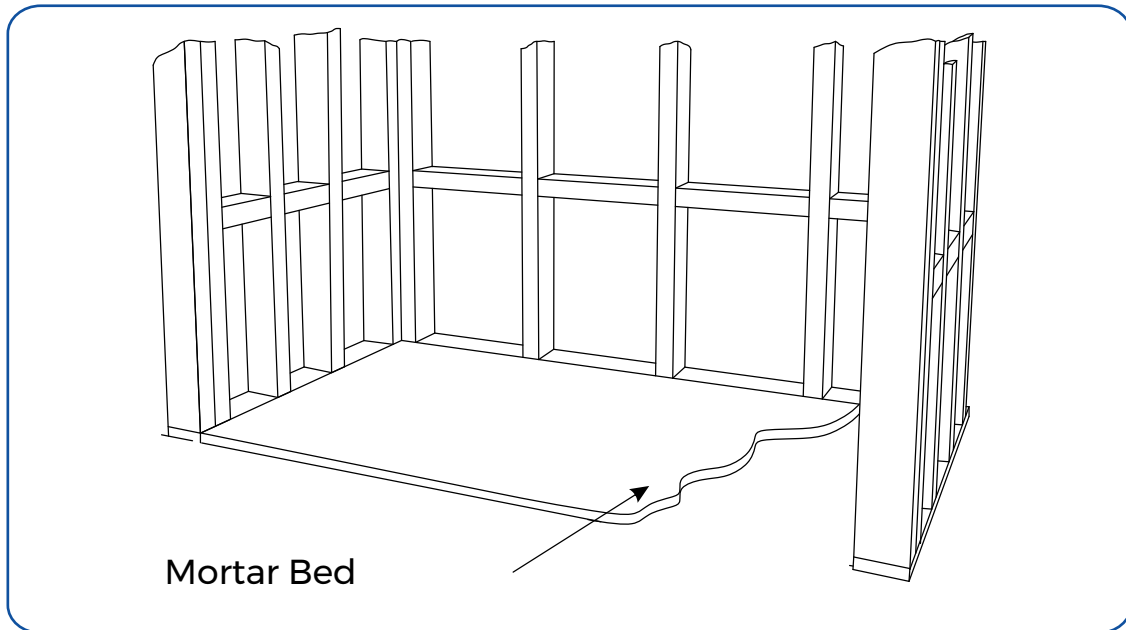
Two common methods for securing the bathtub are a mortar bed or construction adhesive. Alternative methods are also available, depending on the specific installation site. Please consult with a certified plumber/installer.

Mortar Bed Installation

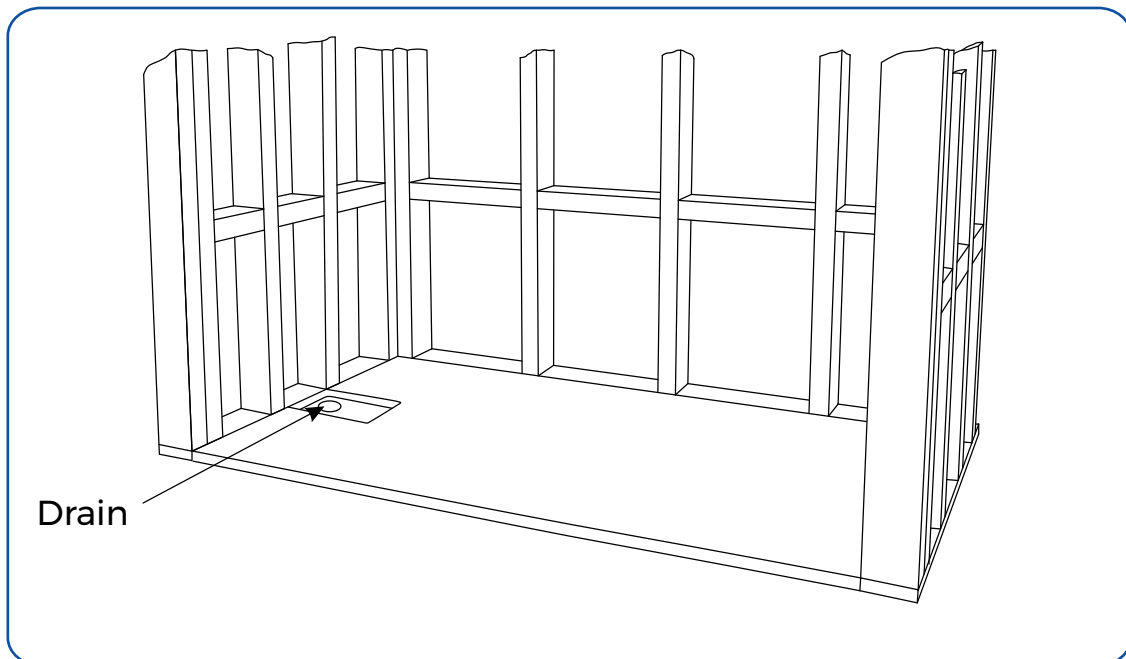


14. The bathtub must be fully supported at its base and anchored to the floor using either a mortar bed or construction adhesive.
 - a. Avoid gypsum cement and drywall compounds; they lack a lasting bond. Use **ONLY** mortar.

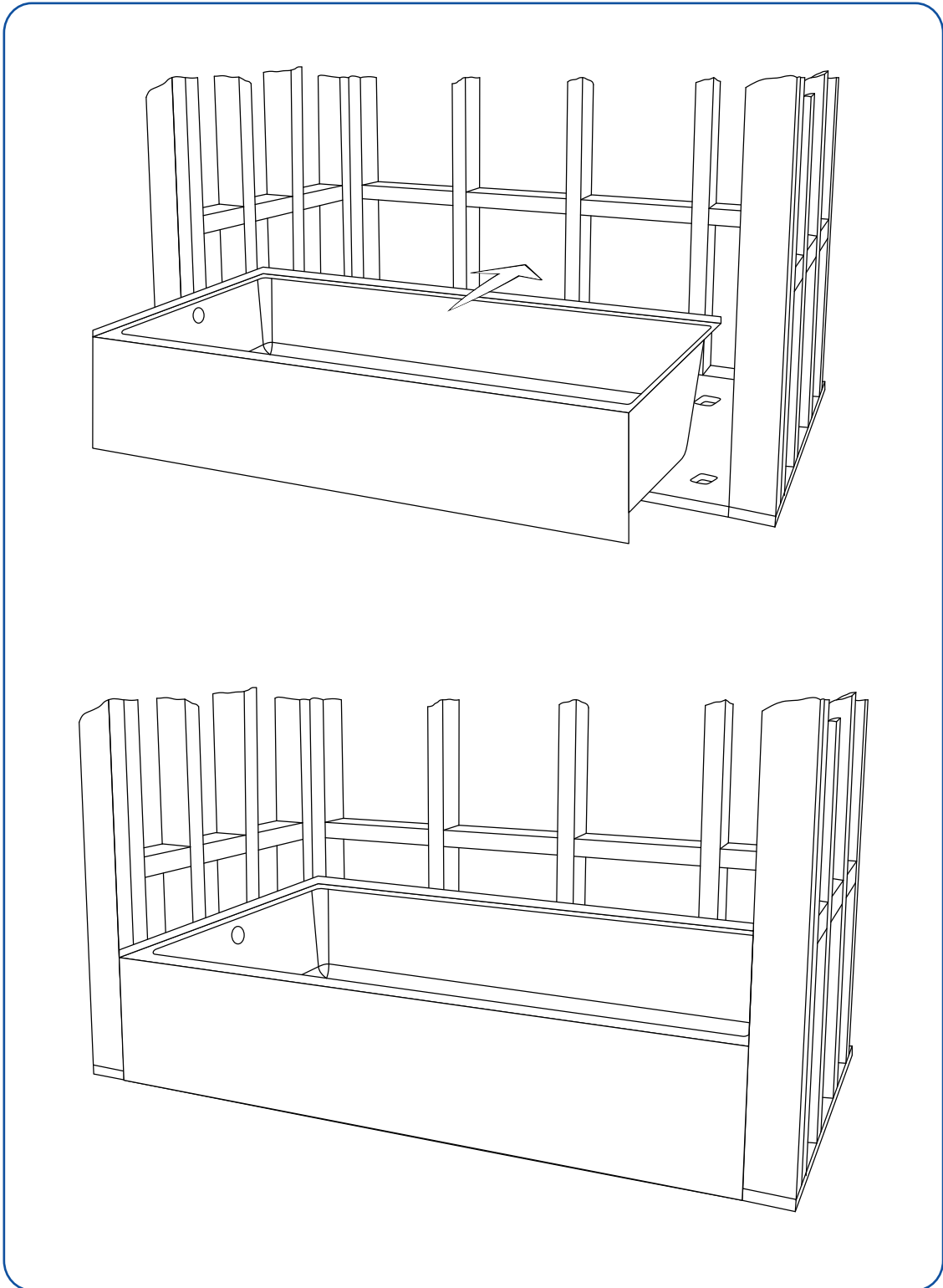
15. Use enough mortar to support the bathtub's bottom, typically between 1-1/2" to 2". The mortar layer should be adequately thick to facilitate the tub's leveling without elevating it



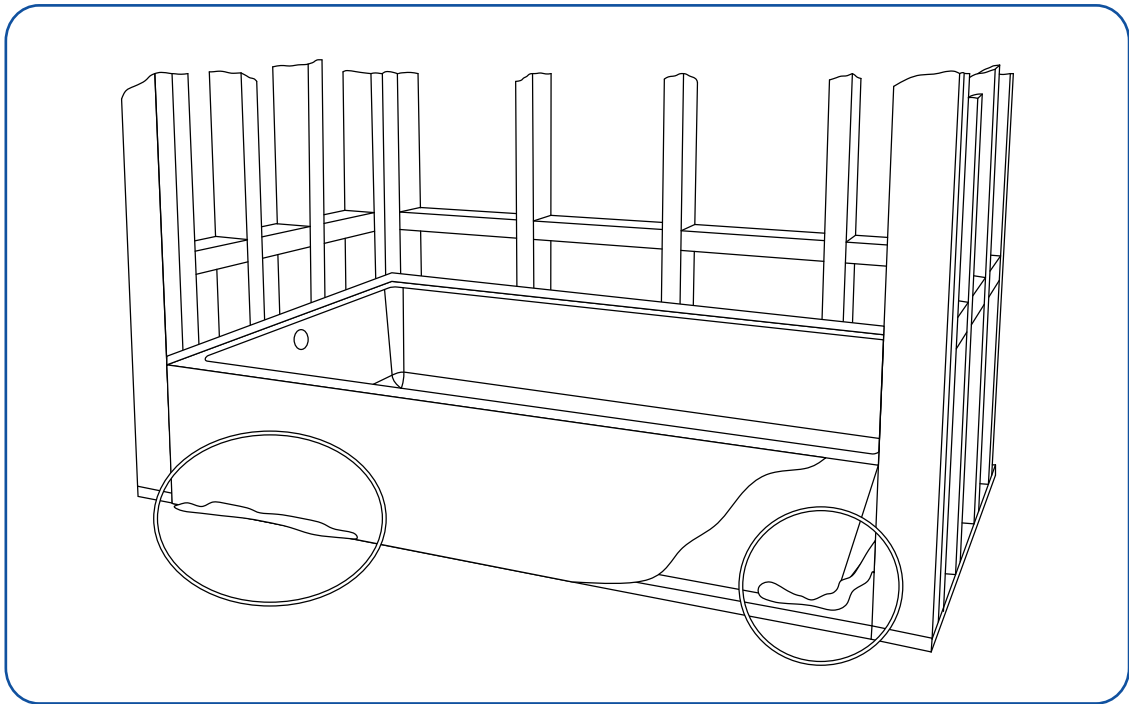
16. Distribute the mortar across the floor.
- Spread the mortar on the floor section to touch the tub's base.
 - Refrain from applying mortar in the vicinity of the drain.



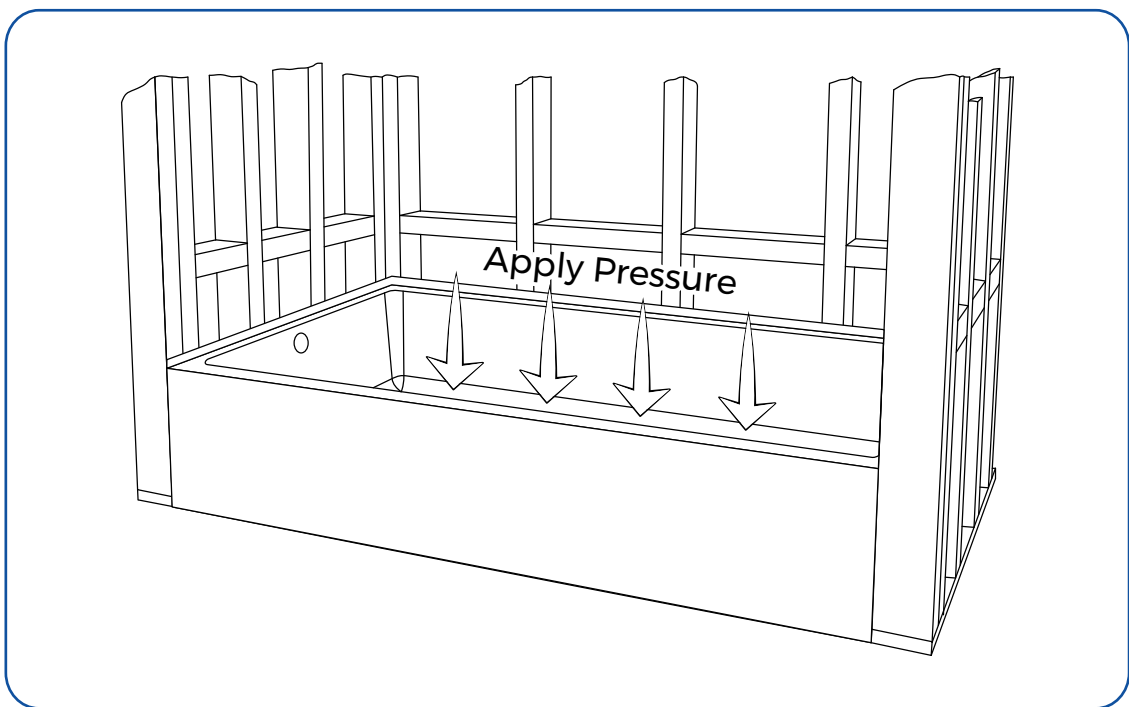
17. Once the mortar has been applied and before it begins to set, carefully position the bathtub in the installation area.
- The bathtub **MUST** be installed with even support around it, ensuring it is level. An uneven installation could compromise drainage.



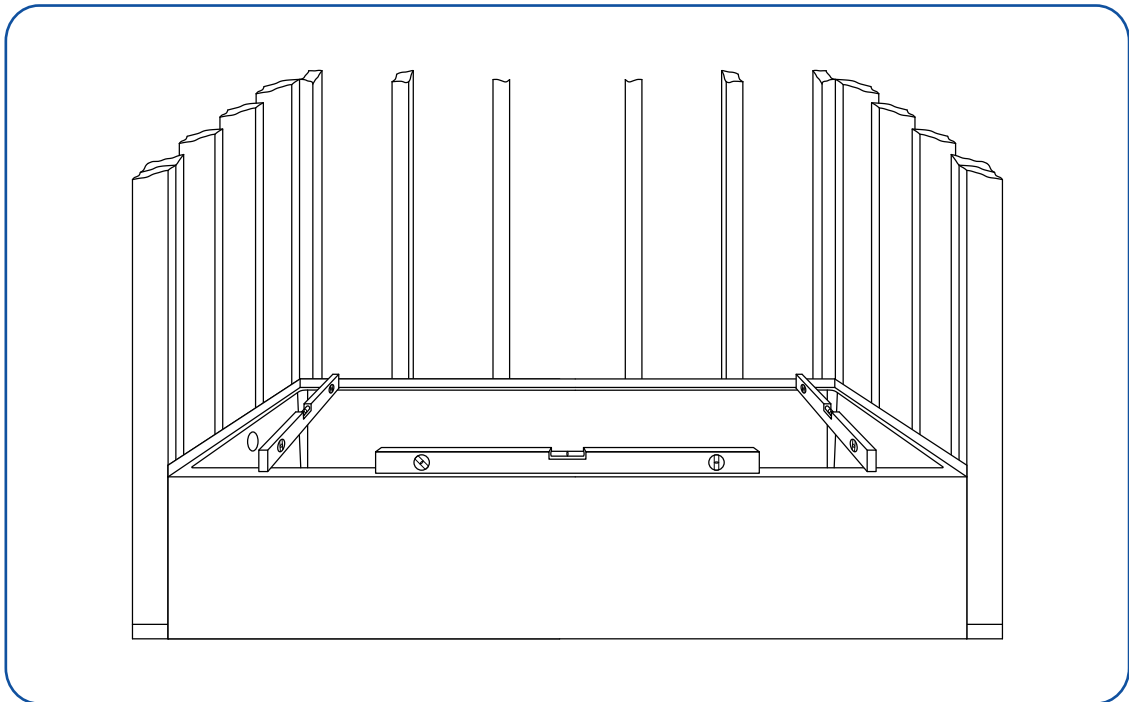
18. Let the bathtub settle into place, being vigilant of any excess mortar accumulating on its sides and ends.



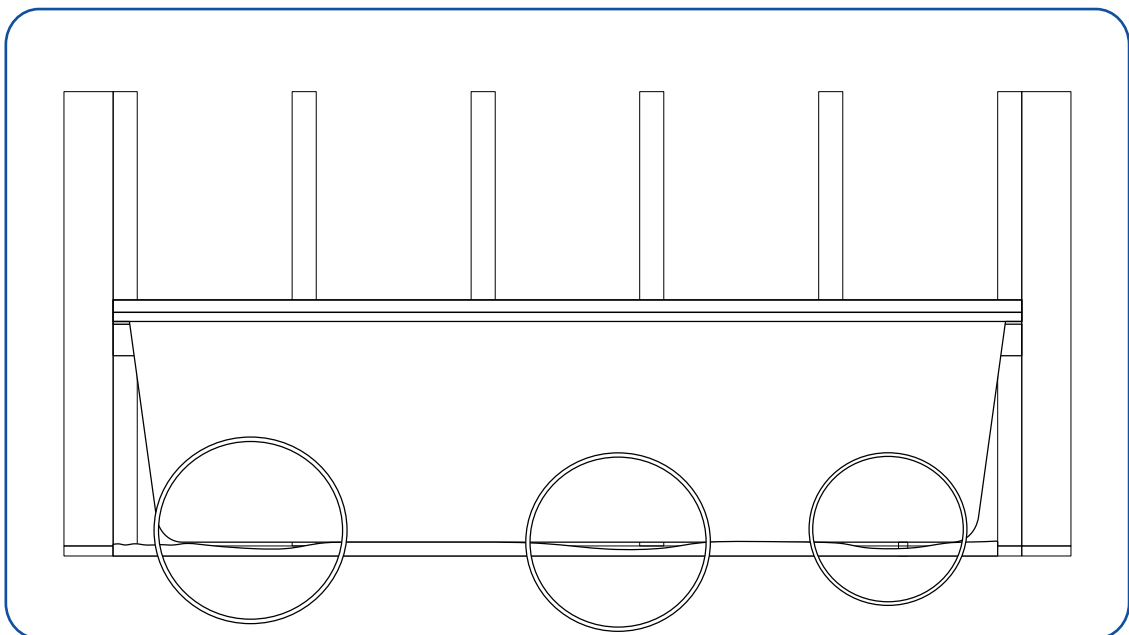
19. Apply pressure to the tub's center until the mortar solidifies.



20. Ensure the bath is level across the top and is plumb along the drain side. Adjust if necessary; if unlevel, use shims beneath the blocks.

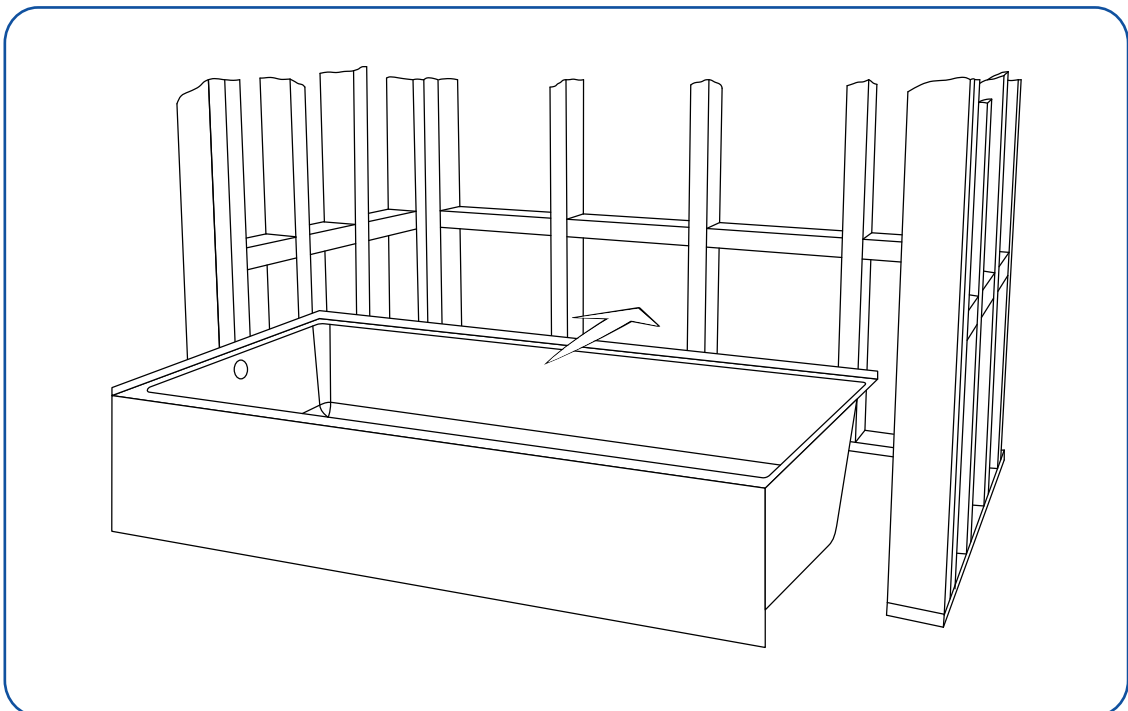
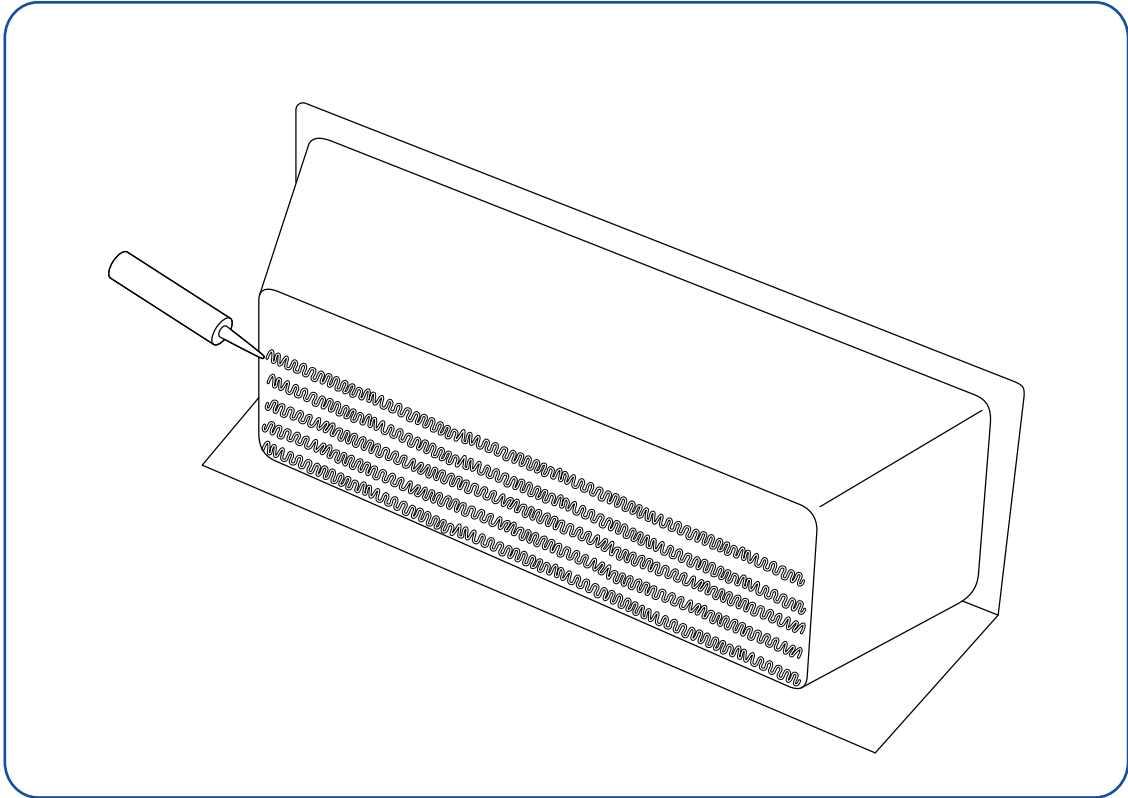


21. Allow the mortar bed to be set for at least 24 hours. Afterward, ensure that the mortar correctly supports every tub section. Add more mortar in areas where the tub lacks firm support.

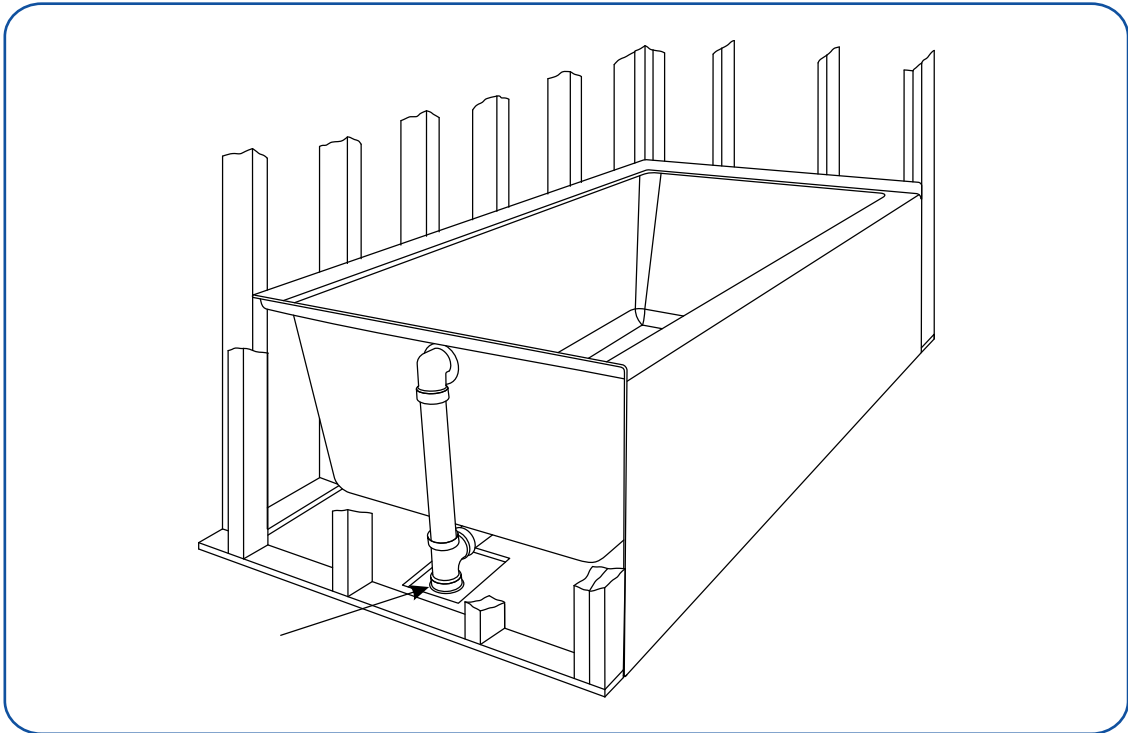


Construction Adhesive Installation

22. Apply ample construction adhesive to the base of the bathtub. Carefully position the bath in the alcove space. Adjust or shim as necessary. Ensure the bathtub is level on top and plumb by the drain. If still unlevel, use wood shims underneath the bathtub.



23. Complete the drain connection to the home's plumbing system.



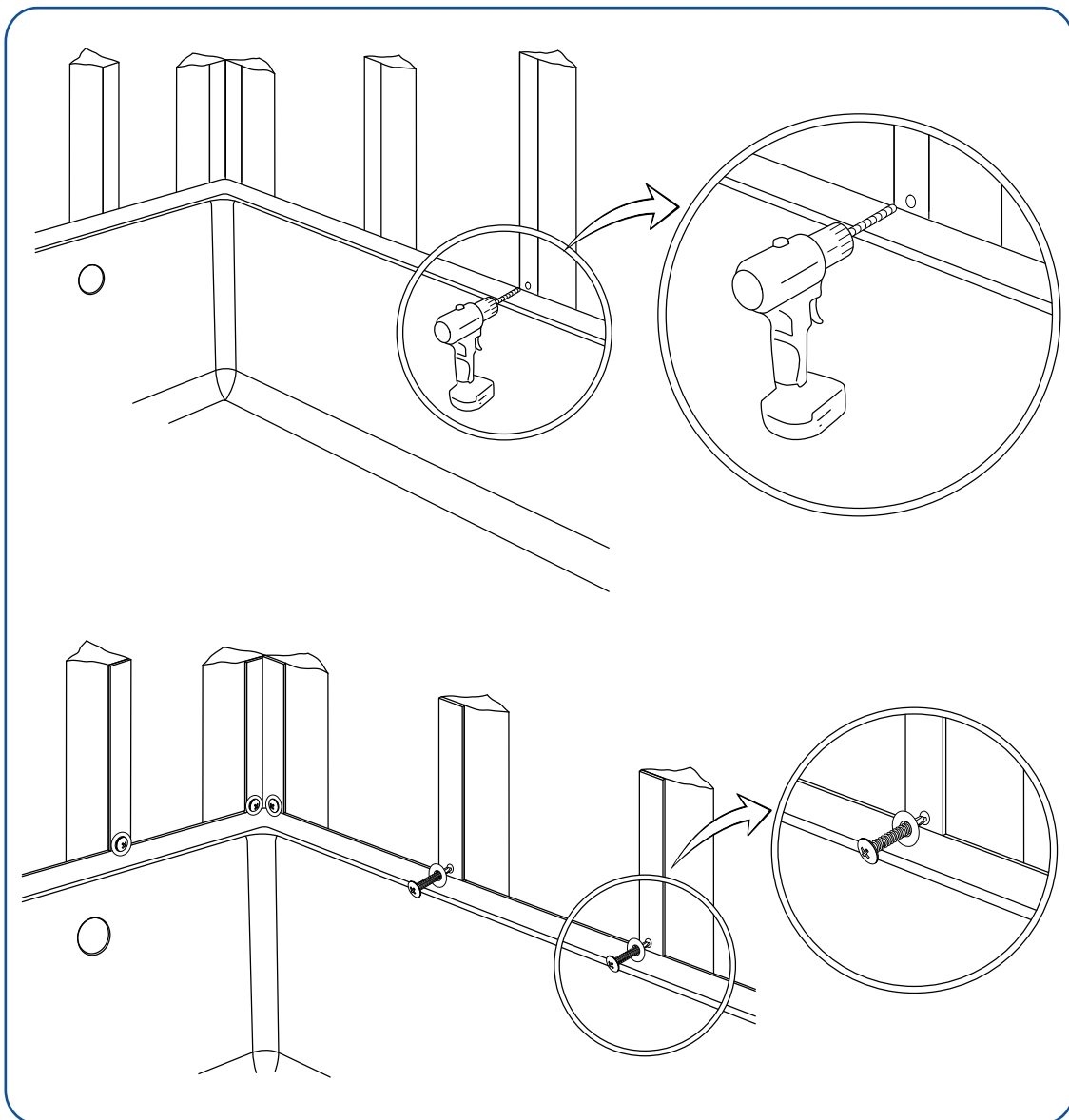
24. The tiling flange is not designed to support the bathtub's weight; it **MUST** be fastened to the studs. It is advised to pre-drill the flange to prevent it from cracking.
- Avoid pre-drilling holes straight into the studs.
 - Refrain from driving nails through the tiling flange.

There are two approaches to firmly secure the bathtub in place against the studs.

- Drilling above the tiling flange
- Drilling through the tiling flange

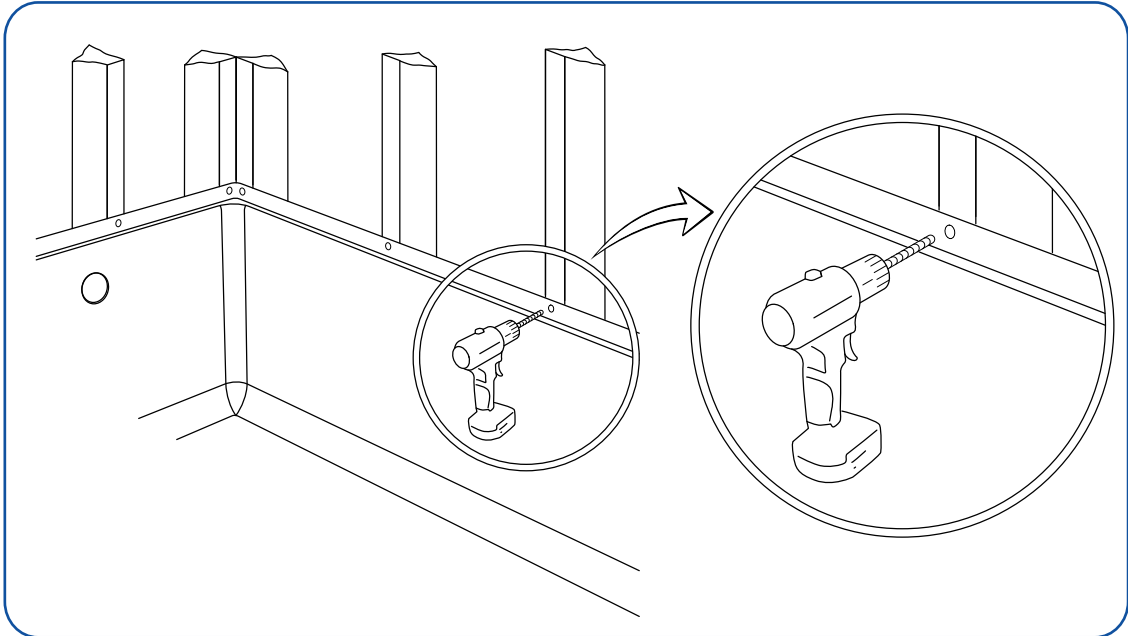
Drilling Above The Tiling Flange

For a secure attachment of the bathtub to the studs, employ screws and fender washers, drilling just above the tiling flange. Be cautious not to over-tighten, as excessive force can potentially damage the bathtub.

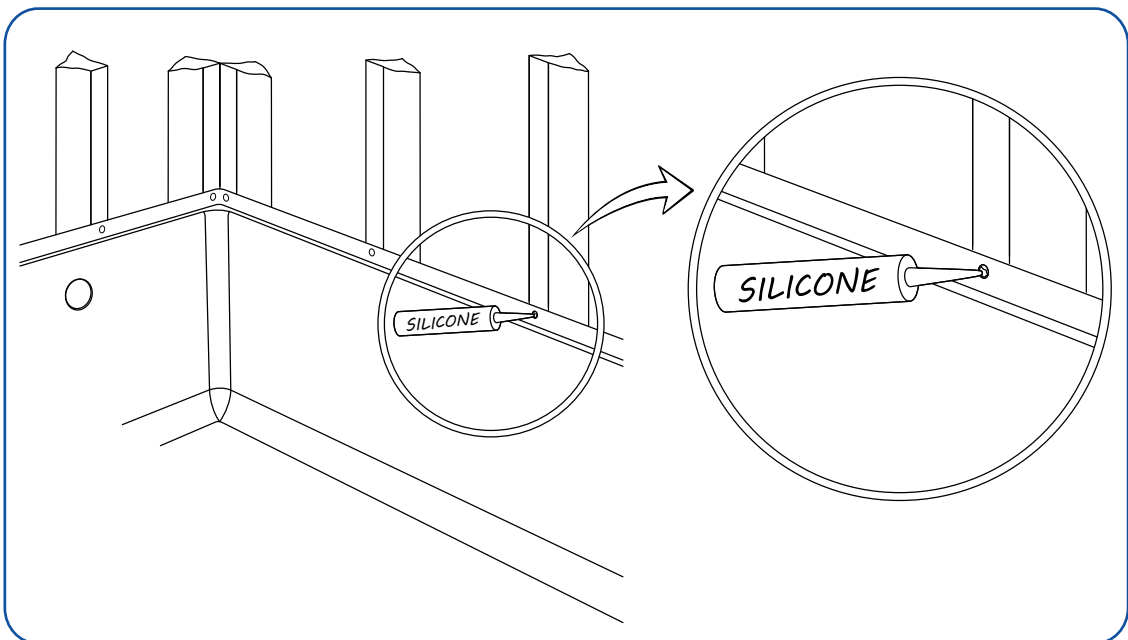


Drilling Through The Tiling Flange

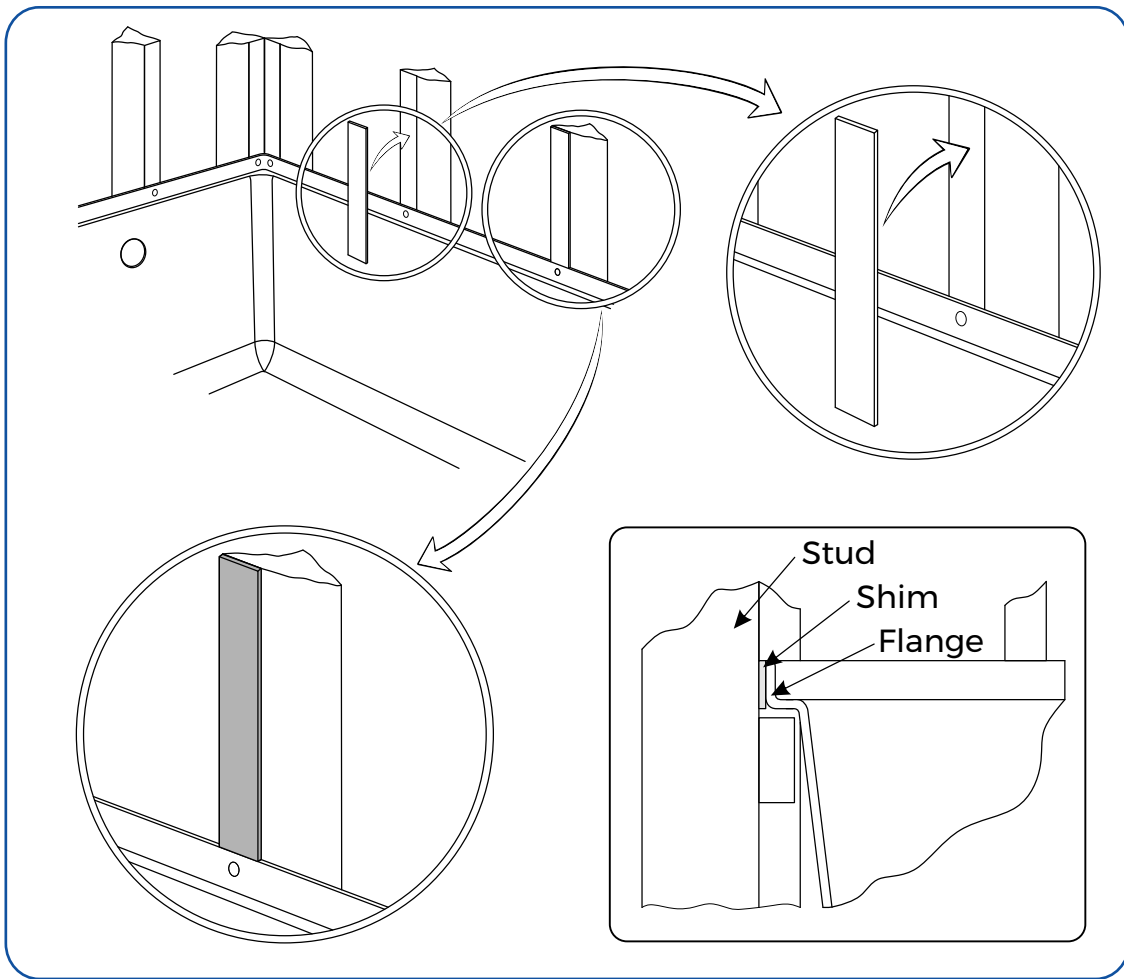
25. Using a drill bit, drill a pilot hole through the tiling flange at each stud location. When working with wood framing, a drill chuck can harm the product. Utilize a bit holder extension.



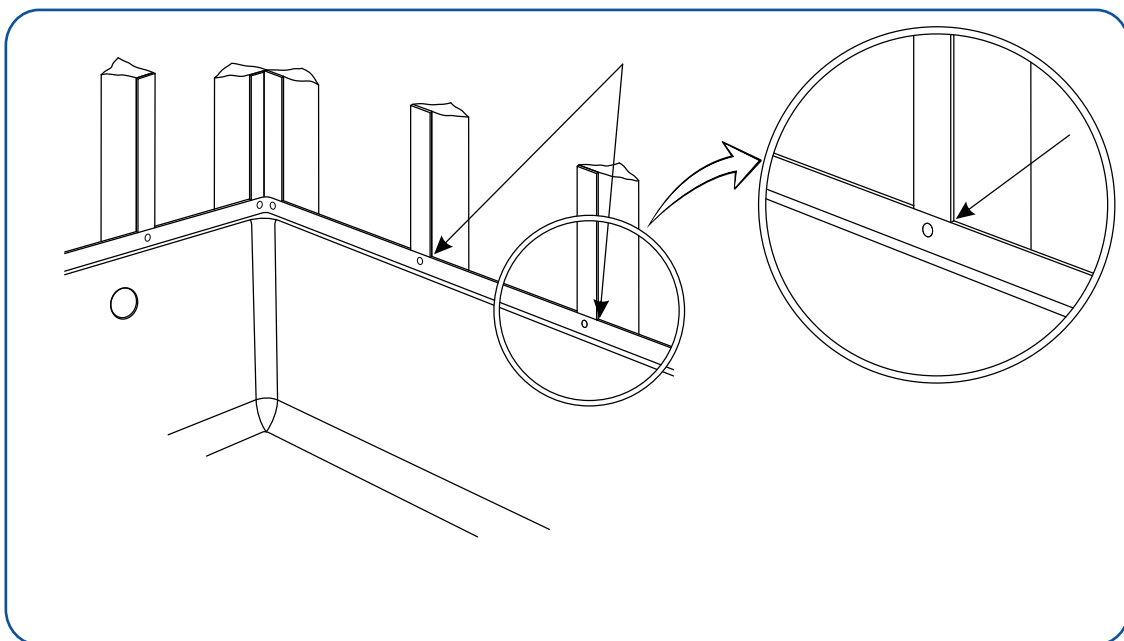
26. After drilling, apply silicone to the tiling flange holes to guarantee a watertight seal.



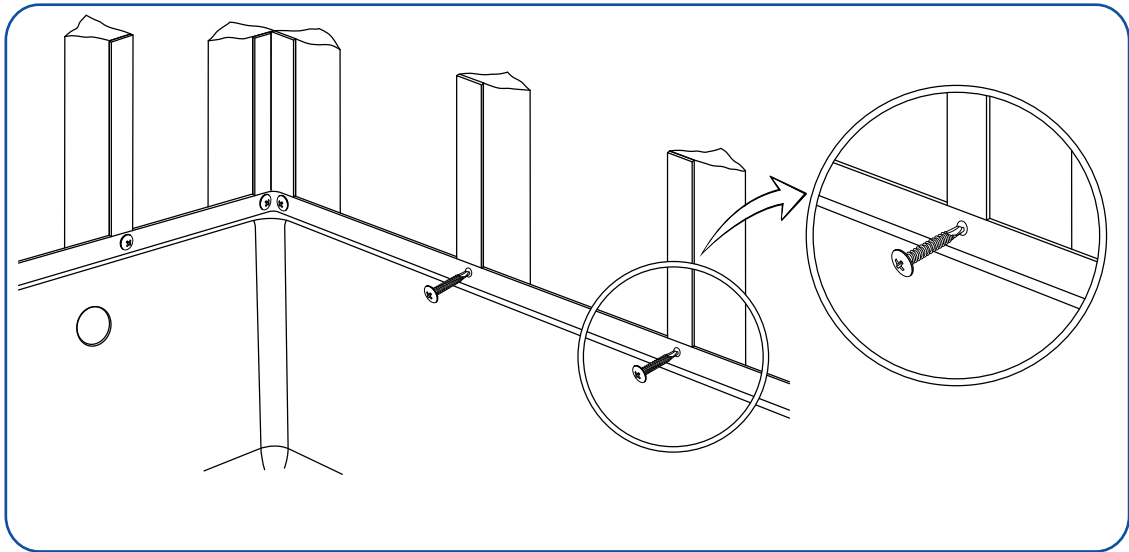
27. Affix ¼" (6mm) furring strips to the studs, if necessary, to align with the bathtub's tiling flange and to close gaps



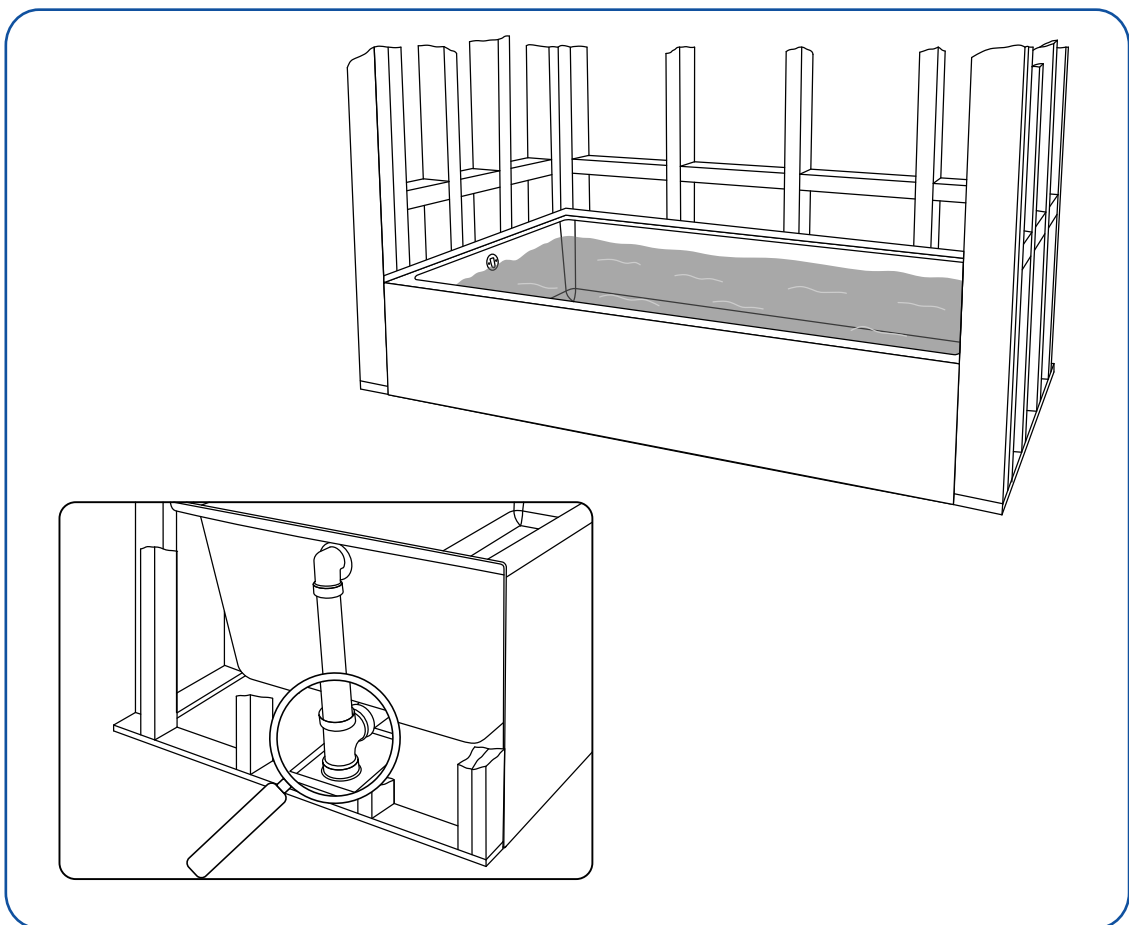
28. Ensure gaps between flanges and studs are under 1/8" after shim placement.



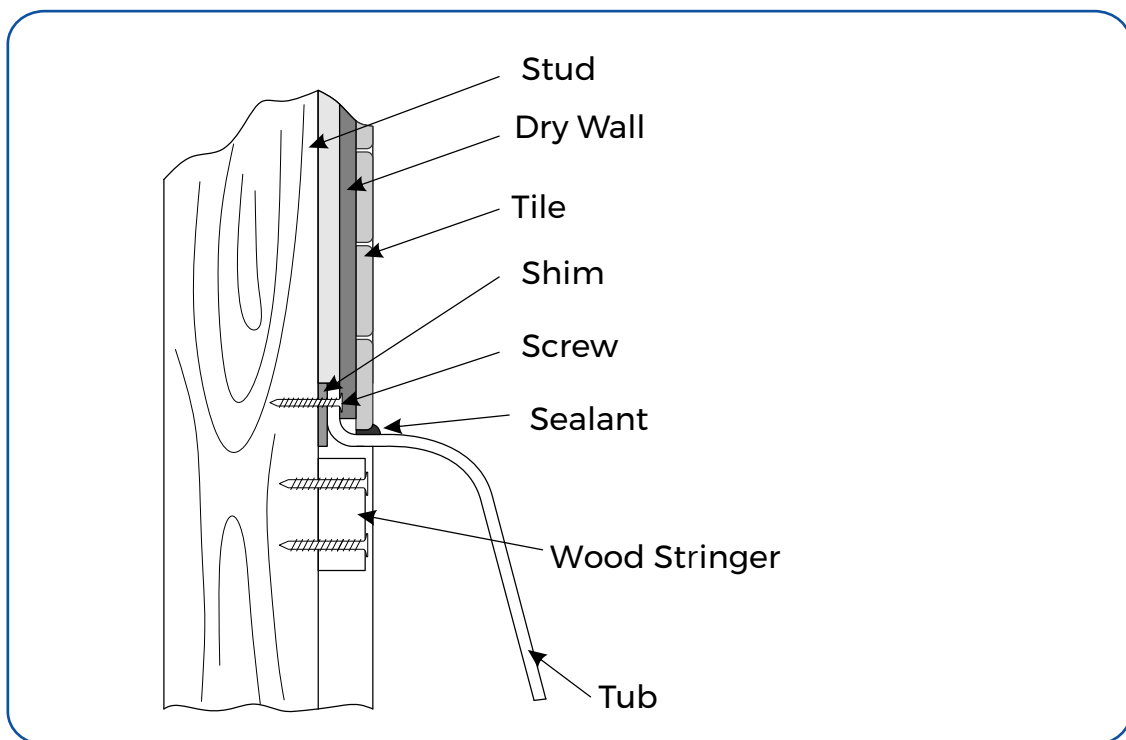
29. Secure with screws. Be cautious not to over-tighten, as excessive force can potentially damage the bathtub.



30. Before completing the installation, perform a thorough re-check of all plumbing connections to confirm there are no leaks and conduct an overflow water test to verify functionality. If leaks are detected, **DO NOT** proceed with tub installation.

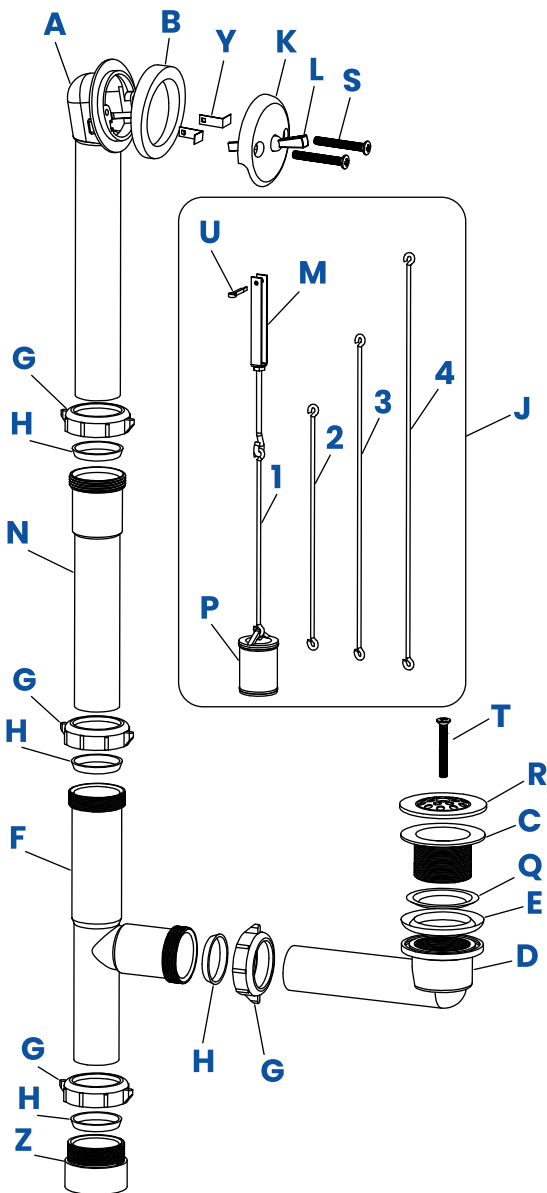


31. Mount water-resistant drywall or cement board on the framing and seal seams with 100% silicone sealant. Make sure to position the finished wallboard over the tiling flange, leaving a $\frac{1}{4}$ " (6mm) opening, which creates a groove for the silicone sealant.
32. Fill the groove between the finished wall and rim with silicone sealant.
33. Install the finished wall material.
34. Lay down the finished floor.
35. Apply a 100% waterproof silicone sealant to seal any gaps between the bathtub's apron and the floor.



6. Drain Installation Instructions

P DRAIN SERIES



Parts Diagram

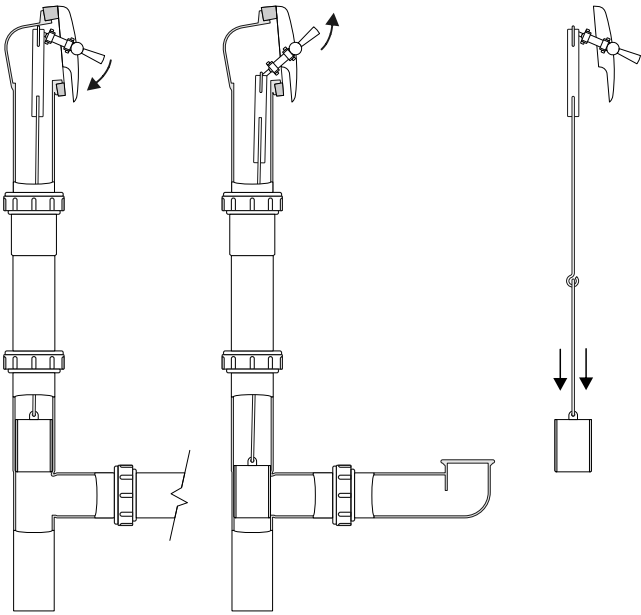
A	Overflow Elbow
B	Overflow Rubber Washer
C	Strainer
D	Drain Elbow
E	Drain Rubber Washer
F	Waste Tee
G	Slip Nut
H	Washer
J	Trip Lever Linkage
1-4	Linkage Wires
K	Trip Lever Face Plate
L	Trip Lever Handle
M	Threaded Rod
N	Extension Tube
P	Plunger
Q	Strainer Upper Gasket
R	Strainer Grid Plate
S	Overflow Plate Screws
T	Strainer Grid Screw
U	Cotter Pin
Y	Overflow Retainer Clips
Z	Drain Adapter

Installation Instructions

1. Attach the strainer upper gasket **(Q)** to the strainer **(C)**. Spread silicone sealant (not included) along the underside flange of the strainer **(C)**. Align the drain elbow **(D)** and the rubber drain washer **(E)** from underneath the bathtub drain hole. Insert the strainer **(C)** into the drain hole and securely attach it from underneath the bathtub to the rubber drain washer **(E)** and to the drain elbow **(D)**. Use pliers or a strainer wrench (not included) to tighten it.
2. Position a slip nut **(G)** and washer **(H)** onto the drain elbow **(D)**, orienting the threads of the slip nut and the beveled edge of the washer toward the end of the tube.
3. Slide a slip nut **(G)** and washer **(H)** onto the overflow elbow **(A)**, ensuring that the threads of the slip nut and the beveled edge of the washer are oriented toward the end of the tube.
4. Next, position the rubber overflow washer **(B)** onto the overflow elbow **(A)**, with the thicker lip facing the overflow elbow's upper part, as indicated in the drawing.
5. Insert the longer arm of the retainer clips **(Y)** into the slots located just below the screw holes on the overflow elbow **(A)**.
6. Measure from the center of the overflow hole to the bottom of the bathtub, where the drain elbow **(D)** will connect to the waste tee **(F)**. Determine if the extension tube **(N)** is needed based on the measured height.
7. If the extension tube **(N)** is needed for the desired overflow height, insert the overflow elbow **(A)** into the extension tube **(N)**, and carefully tighten the slip nut **(G)** without over-tightening. Then, position a slip nut **(G)** and washer **(H)** on the extension tube **(N)**, orienting the threads of the slip nut and the beveled edge of the washer toward the end of the tube. Insert the extension tube **(N)** into the waste tee **(F)** and gently tighten the slip nut **(G)** without over-tightening.
- 7a. Please note that the extension tube **(N)** can be cut if necessary to fit the bathtub properly.
8. If the extension tube **(N)** is unnecessary, refrain from using it. Instead, insert the overflow elbow **(A)** into the waste tee **(F)** and gently tighten the slip nut **(G)** without over-tightening.
9. Position the overflow elbow **(A)** over the overflow hole from the bathtub's exterior.

- 10.** Connect the trip lever linkage (**J**) to the trip lever faceplate (**K**) by aligning the holes and inserting the cotter pin (**U**). Then, using pliers, twist the pin to secure the connection.
- 11.** From the interior of the bathtub, insert the linkage assembly (**J**) and the faceplate (**K**) through the overflow elbow (**A**). The drain assembly includes four linkage wires (**1-4**) to establish the suitable height of the linkage assembly. Refer to the next page of the installation manual to identify the correct wire based on the bathtub's soaking depth. If necessary, adjust the linkage length by turning the threaded rod (**M**).
- 12.** With the trip lever set to the closed position, ensure that the plunger (**P**) rests on the internal stop of the waste tee (**F**).
- 13.** Secure the trip lever plate (**K**) to the overflow elbow (**A**) by using the two overflow plate screws (**S**).
- 14.** Verify the functionality of the plunger mechanism by raising and lowering the trip lever handle (**L**).
- 15.** Install the strainer grid plate (**R**) and fasten it securely using the strainer grid screw (**T**).
- 16.** Firmly tighten all slip joint connections. Perform a water test on the entire installation by filling the tub with water up to the overflow opening and inspecting for any signs of leakage from underneath the tub. Let the water sit in the bathtub for a minimum of 30 minutes and inspect if leakage is occurring.

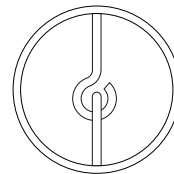
Adjusting The Linkage Assembly



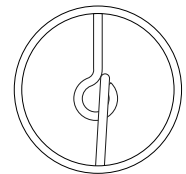
1. Insert the linkage assembly into the overflow, ensuring the trip lever is in the open position (Facing down).
2. Secure the overflow plate onto the overflow drain.
3. Push the trip lever firmly to the closed position (Facing up) in order to set the plunger in the drain.
4. Conduct a water test to check if the plunger is at the correct height.
5. If not, adjust the linkage length by turning the threaded rod or choose a different linkage wire.

Ensure that the linkage wire is correctly attached during the installation of the trip lever drain, as an improper installation may impact drainage.

Correct



Incorrect



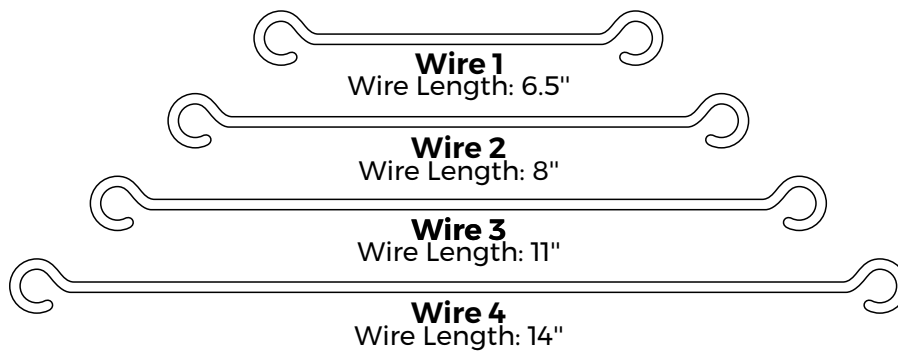
Linkage Wire Diagram

Step 1

Measure the distance from the center of the overflow hole to the bottom of the bathtub, where the drain elbow meets the waste tee.

Step 2

Refer to the table below and select the correct linkage wire for the distance measured.



Measurement From Step 1	Use Wire
11" to 14"	1
12.5" to 15.5"	2
15.5" to 18.5"	3
17.5" to 20.5"	4

*Drawings are not to scale



Our warranty program is designed to provide you with peace of mind. It covers a wide range of potential issues that may arise during the specified warranty period, ensuring that you can enjoy your bathtub with confidence.

We are pleased to inform you that by purchasing our bathtub, you are automatically enrolled in our warranty program.

We want to assure you that our warranty program is backed by our commitment to quality and customer satisfaction. In the unlikely event that you encounter any concerns or defects with your bathtub, our dedicated support team is here to assist you promptly and efficiently.

Please take a moment to review the details of your warranty coverage, which can be found in the documentation included with your purchase. If you have any questions or require further clarification, do not hesitate to contact our customer service department. We are always ready to provide the assistance you need.

Once again, thank you for choosing our bathtub and for allowing us to serve you. We value your trust and are committed to delivering the highest level of product quality and customer care. We look forward to exceeding your expectations throughout your ownership of our bathtub.

For any questions or comments about your new bathtub, please contact customer service at:

USA:
(310) 935-0028
support@streamlinebath.com

Canada:
(604) 757-6589
support@streamlinebath.ca

LIMITED WARRANTY EXCLUSION

ALL OTHER WARRANTIES EXPRESS OR IMPLIED INCLUDING ALL IMPLIED WARRANTIES OF MERCHANTABILITY OF FITNESS FOR A PARTICULAR PURPOSE ARE HEREBY DISCLAIMED. STREAMLINE® IS NOT LIABLE FOR ANY INDIRECT, PUNITIVE, INCIDENTAL, CONSEQUENTIAL, SPECIAL OR SIMILAR DAMAGES INCLUDING, BUT NOT LIMITED TO, TIME AWAY FROM WORK, HOTELS AND/OR RESTAURANT MEALS, REMODELLING EXPENSES IN EXCESS OF DIRECT DAMAGES WHICH ARE DEFINITELY CAUSED EXCLUSIVELY BY STREAMLINE®, LOST PROFITS OR REVENUE, INABILITY TO USE THE PRODUCT, OR ANY OTHER ASSOCIATED EQUIPMENT, THE COST OF SUBSTITUTE EQUIPMENT, AND ANY CLAIMS BY THIRD PARTIES RESULTING FROM THE USE OF THIS PRODUCT.

UNDER NO CIRCUMSTANCES SHALL STREAMLINE'S LIABILITY EXCEED THE PURCHASE PRICE OF THE UNIT.

STREAMLINE® PRODUCTS MUST BE INSTALLED BY A FULLY INSURED, LICENSED, PROFESSIONAL WHO SHALL FOLLOW THE INSTRUCTIONS PROVIDED BY STREAMLINE®. SHOULD THE PRODUCT BE INSTALLED BY AN INDIVIDUAL WHO IS NOT A FULLY INSURED, LICENSED PROFESSIONAL, THIS SHALL VOID THE WARRANTY OF THE PRODUCT.

SHOULD A WARRANTY CLAIM ARISE AND EITHER PARTS, REPLACEMENT, OR REPAIR OF THE STREAMLINE PRODUCT IS NECESSARY, FULFILLING THE INITIAL WARRANTY CLAIM SHALL DISCHARGE STREAMLINE® OF ANY FUTURE WARRANTY OBLIGATION. IF THE PURCHASER REFUSES THE WARRANTY SOLUTION PROVIDED BY STREAMLINE®, THIS ACT SHALL VOID THE WARRANTY. UNDER BOTH INSTANCES, STREAMLINE® WILL NOT BE HELD RESPONSIBLE FOR ANY COSTS ASSOCIATED WITH SERVICING THE WARRANTY

NO PERSON MAY MAKE ANY REPRESENTATION, AFFIRMATION, OR WARRANTY OTHER THAN THOSE CONTAINED IN THIS WARRANTY. ANY AFFIRMATION, REPRESENTATION OR WARRANTY BY ANY PERSON WHO IS NOT A STREAMLINE® EMPLOYEE SHALL NOT BE ENFORCEABLE AGAINST STREAMLINE®

Streamline® makes no representations about the quality, durability, or need for service or repair of its products other than the representations contained in this warranty. If you want a longer or more comprehensive warranty than the limited warranty that comes with this product, you should ask Streamline® or your retailer about buying an extended warranty. This warranty gives you specific legal rights, and you may have other rights that vary from state to state. Some states do not allow the exclusion or limitation of incidental or consequential damages, and some states do not allow limitations on how long an implied warranty lasts, so the limitations or exclusions stated above may not apply and may vary from state to state.

The warranties stated herein apply only to the first purchaser of the Product and are not transferable. Streamline® reserves the right to request proof of purchase at the time any warranty claim is submitted to confirm that the Product falls within the scope of this limited product warranty.

OUT OF WARRANTY PRODUCT

STREAMLINE® IS UNDER NO OBLIGATION, AT LAW OR OTHERWISE, TO PROVIDE YOU WITH ANY CONCESSIONS, INCLUDING REPAIRS, PRORATES,

LIMITED MANUFACTURER'S WARRANTY

All parts and finishes of Streamline® products are warranted to the original consumer purchaser to be free from defects in material and workmanship for a period of one to five years [depending on the product and model; please check the product listing or email us at support@streamlinebath.com if you are unsure] after the date of original retail purchase. Proof of the original purchase is required to obtain a remedy under this limited warranty. Streamline® recommends using a certified professional for all installation and repair of kitchen and bathroom fixtures.

Streamline® will replace, free of charge, during the warranty period any part or finish that proves defective in material and/or workmanship under normal installation, use and service. Replacement parts may be obtained by emailing us at support@streamlinebath.com

This warranty is extensive in that it covers replacement of all defective parts and even finish, but these are the only two things that are covered. Labor charges and/or damage incurred in installation, repair, or replacement as well as any other kind of loss or damages are excluded. Proof of purchase (original sales receipt) from the original consumer purchaser must be made available to Streamline® for all warranty claims. This is the exclusive warranty by Streamline®, which does not make any other warranty of any kind, including the implied warranty of merchantability. This warranty excludes all industrial, commercial and business usage, whose purchasers are hereby extended a one-year limited warranty from the date of purchase, with all other terms of this warranty applying except the duration of the warranty.

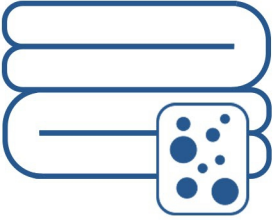


WHAT IS NOT COVERED UNDER THIS LIMITED WARRANTY

- Normal wear and tear, spills of food, liquid, grease accumulations or cosmetic damage.
- Damage due to accidents, misuse, physical force, improper installation or operation, mishandling, neglect, fire, heat, water, humidity, liquids, insect infestation, or other intrusion.
- Products that have been repaired, altered or modified by anyone other than Streamline® or its authorized service representative.
- Damage caused by use of non-Streamline® accessories or misapplication.
- Products whose serial numbers have been removed, altered or rendered illegible.
- Products purchased, shipped from, used or serviced outside the United States, Canada, and Mexico.
- Damage caused by acts of nature such as, but not limited to, lightning damage.
- Products returned without valid proof of purchase.
- Consumable parts such as light bulbs, metal, and charcoal filters.
- Any party's willful misconduct, negligence, misuse, abuse, accidents, neglect, improper operation, failure to maintain, improper or negligent installation, tampering, failure to follow operating instructions, mishandling, unauthorized service (including self-performed "fixing" or exploration of the product's internal workings).
- Use of corrosive or abrasive cleaning products.
- Cosmetic damages including scratches, dents, chips and other damage, unless such damage results from defects in materials and workmanship and is reported to Streamline within 3 calendar days of delivery.
- Use of the Product in anything other than its normal, customary and intended manner.
- A failure to comply with any applicable state, local, city or county electrical, plumbing and/or building codes, regulations, or laws, including failure to install the product in strict conformity with local fire and building codes and regulations.
- In no event shall Streamline have any liability or responsibility whatsoever for damage to surrounding property, including cabinetry, floors, ceilings, and other structures or objects around the product.

NO ATTEMPT TO ALTER, MODIFY, OR AMEND THIS WARRANTY SHALL BE EFFECTIVE UNLESS AUTHORIZED IN WRITING BY AN OFFICER OF STREAMLINE.

8. Use & Care Guide



In order to clean the bathtub, please only use a soft cotton cloth or soft sponge.



Never use acidic, alkali, or any products to clean the bathtub that state on their label that they are **Not Suitable** for use on Acrylic, ABS, Polystyrene or Plastic.



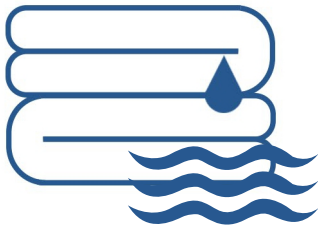
To clean inside the bathtub, fill it with warm water and add a couple of squirts of dish liquid. Allow it to sit for 30 minutes. Let the bathtub drain and wipe away any residue.



In order to remove light marks or scratches, apply toothpaste to the area and scrub with a soft cloth or sponge.



If deep cleaning is necessary, rinse or soak the tub in warm water for 30 minutes and add a bit of liquid soap or dish soap to the water. Rinse and dry with a soft towel.



It is advised to clean the surface of the bath regularly in order to remove any insoluble products. Warm soapy water should be used and afterwards the bath should be wiped. **Do not let cleaners soak in.**



It is advised to always run some cold water before turning on the hot tap, with hot water temperatures not exceeding 65 Celsius.



The surface of the bathtub has good resistance properties to acids, but should not come into contact with alkalis or organic solvents, such as caustic soda, some multi-surface cleaners, bathroom cleaners, bleaches, harsh solvents, burning cigarettes, strong chemicals such as dry-cleaning fluids, paint strippers, acetone, citrus based chemicals, and nail/varnish removers.



Please read all instructions carefully before proceeding with installation.



Due to the complexity of the installation procedure, a professional plumber is required.