



Streamline

UNDER MOUNT RANGE HOOD SERIES

OWNER'S MANUAL & INSTALLATION GUIDE



READ ENTIRE INSTALLATION GUIDE PRIOR TO INSTALLING THE RANGE HOOD

For installation and assembly videos, please visit our website

www.streamlinebath.com

OR

our YouTube page by searching for

"Streamline Bath"

OR

following the below link to our channel:

<https://www.youtube.com/channel/UCII7TGMbkwoGSqzo-pGfaJw>

CAUTION!



**TWO PERSON
LIFT REQUIRED**

TABLE OF CONTENTS

1.	Safety Disclaimer	3
2.	Electrical Guidelines	7
3.	Warranty Guidelines	8
4.	Tools Required	10
5.	Parts Supplied	11
6.	Installation Dimensions	12
7.	Ventilation Options	13
8.	Installation Instructions	14
9.	Control Panel Operation	45
10.	Product Care & Maintenance	37
11.	LED Light Replacement & Charcoal Filter Installation	49

1. Safety Disclaimer

- Please note that these installation instructions are intended as general guidelines only. It is recommended to seek advice from a professional installation specialist for the most suitable type of mounting hardware and support system based on the construction of your space.
- Use this unit only in the manner intended by Streamline. If you have any questions, please contact Streamline.
- The manufacturer cannot be held responsible for failing to comply with safety regulations.
- The manufacturer disclaims all liability for any damage that may be directly or indirectly caused to people, things, and animals due to the failure to follow all the instructions provided in this booklet and, above all, the warnings relating to the installation, operation, and maintenance of the appliance.
- These warnings have been provided for your safety and the safety of others. As a result, please read them carefully before installing and operating the appliance.
- The installation instructions in this manual are intended for qualified installers, service technicians, or people with similar qualified backgrounds. **DO NOT** attempt to install this appliance yourself.
- Only qualified professionals should proceed with the installation and electrical wiring. All installation and wiring must be done with regard to any and all applicable codes and standards.
- It is dangerous to modify or attempt to modify the characteristics of this system. In the event of malfunctions or if repairs are required to the appliance, do not attempt to solve the problems directly.
- All electrical wiring must be properly installed, insulated, and grounded.
- This product is designed for indoor residential use only.
- Local codes may necessitate using a cable-locking connector (**NOT** provided). Verify local code requirements.
- Read all instructions before installing and operating this appliance. This instruction booklet must be kept together with the appliance for future reference. If the appliance is sold or consigned to other parties, please ensure that the booklet is supplied with it to ensure that the new user has the correct information on the operation of the range hood and is aware of the warnings.

- Before installing your range hood, it's essential to verify the local, city, and state regulations for the appropriate venting method. Many agencies have specific CFM (cubic feet per minute) rating specifications for hoods as well. Additionally, you may need to purchase additional items to ensure that the hood is vented in accordance with your local city and state specifications. Be sure to follow all regulations and guidelines to ensure safe and proper installation.
- Before operating the product, remove any foams, tapes, and protective films that cover it. Take caution while removing installation components, and use hand gloves to safeguard against sharp edges.
- Ducted range hoods must be vented to the outdoors. **DO NOT VENT EXHAUST AIR INTO ATTICS, CRAWL SPACES, GARAGES, OR WITHIN WALLS/CEILINGS.**
- To avoid damage during installation, safeguard the cooktop surface below using plywood or a similar material.
- To prevent damage to your range hood, make sure to keep debris from entering the vent opening. This appliance is not intended for use by young children. Young children should be supervised to ensure they do not play with the appliance.
- The range hood must only be used to exhaust cooking fumes in the home. The manufacturer disclaims all liability for any other use of the appliance. The maximum weight of any object placed above the hood (or hung to) must not exceed 3.3 lbs.
- When cutting or drilling in the wall or ceilings, be aware of piping, insulation, electrical wires, and other components that may not be visible.
- If the supply cord is damaged, it must be replaced by the manufacturer to avoid a hazard. Any modifications that may be required to the electrical system for installing the range hood must only be made by qualified electricians. **DO NOT OPERATE ANY FANS WITH A DAMAGED CORD OR PLUG.**
- Only plug this unit into a properly grounded outlet.
- Always check that the electrical parts are off when the appliance is unused.
- Accessible range hood parts may become hot when used with cooking appliances.
- Before removing any parts from the range hood, please ensure that you wear protective gloves. The range hood may have very sharp edges.

- Before drilling any holes, it is crucial to verify that the space behind the installation surface is free of any electrical cables, pipes, or other obstructions.
- The stainless-steel surfaces of the range hood are highly susceptible to damage during installation if they are scratched or bumped by tools. Therefore, it is crucial to take necessary precautions to protect the surfaces while installing the range hood.
- It is essential to ensure proper room ventilation when using the range hood in conjunction with gas or other fuel-burning appliances.
- Additionally, the range hood should only be installed over a cooktop with a maximum of four burners. Finally, avoid venting the air into a flue that is also used to exhaust fumes from appliances burning gas or other fuels. It's important to note that range hoods and other cooking fume extractors may impact the safe operation of gas or other fuel-burning appliances, including those in other rooms. This is because of the potential for backflow of combustion gases, which can lead to carbon monoxide poisoning. Therefore, after installing a range hood or other cooking fume extractor, it's crucial to have a competent person test the operation of flued gas appliances to ensure that there is no backflow of combustion gases.
- Please take note of the following warning to reduce the risk of a range top grease fire:
 - Never leave surface units unattended when set to high heat. Boil-over can cause smoke and grease to spill over, which may ignite.
 - Always turn on the range hood when cooking at high heat or with food that produces high flames.
 - Clean ventilation fans frequently, ensuring that grease does not accumulate on the fan or filter.
 - Use appropriate pan sizes that match the size of the surface element. Always use cookware that is appropriate for the size of the surface element.
 - Please take note of the following warning to reduce the risk of injury in the event of a range top grease fire:
 - Smother the flames with a close-fitting lid, cookie sheet, or metal tray, then turn off the burner. Be careful not to get burned. If the flames do not go out immediately, evacuate and call the fire department.
 - Never pick up a flaming pan, as you may get burned.
 - Do not use water, including wet dishcloths or towels, as this can result in a violent steam explosion.
 - Use an extinguisher ONLY if you know you have a class ABC extinguisher and know how to operate it; the fire is small and contained, the fire department is being called, and you can fight the fire with your back to an exit.

- Sufficient air is needed for proper combustion and exhaustion of gases to avoid back-drafting. Follow the heating equipment manufacturer's guidelines and safety standards, such as those published by the National Fire Protection Association (NFPA), the American Society for Heating, Refrigeration and Air Conditioning Engineers (ASHRAE), and local municipal code guidelines.
- Do not connect the appliance to flues (from boilers, fireplaces, etc.). Make sure the mains voltage corresponds to the values on the rating plate located inside the range hood.
- To ensure the installation process is carried out safely and without causing harm to the product or oneself, it is necessary for two individuals to participate in the installation of range hoods due to their weight and size.
- Before performing any cleaning or maintenance operations, disconnect the range hood by unplugging it or using the main switch.
- Ensure that there is adequate ventilation in the room when the range hood is used at the same time as appliances burning gas or other flues.
- Ensure that there is adequate ventilation in the room when the range hood is used at the same time as appliances burning gas or other flues.
- The exhaust air must not be discharged into a flue that is used for exhausting fumes from appliances burning gas or other fuels.
- Before servicing or cleaning the range hood, make sure to turn the power off.
- Repairs performed by unqualified persons may cause damage. For all questions on repairs and other work on the appliance, please contact Streamline at **310-935-0028** or **support@streamlinebath.com**

2. Electrical Guidelines

Please ensure to observe all governing codes and ordinances when installing the range hood. Additionally, ensure that the electrical installation is adequate and complies with the latest edition of the National Electrical Code, ANSI/NFPA 70, or CSA Standards C22.1-94, Canadian Electrical Code, Part 1 and C22.2 No. 0-M91, as well as all local codes and ordinances.

For a copy of the above code standards, you can contact the National Fire Protection Association at: 1 Batterymarch Park, Quincy, MA 02169-7471 or CSA International at 8501 East Pleasant Valley Road, Cleveland, OH 44131-5575.

3. Warranty Guidelines

LIMITED WARRANTY EXCLUSION

ALL OTHER WARRANTIES EXPRESS OR IMPLIED INCLUDING ALL IMPLIED WARRANTIES OF MERCHANTABILITY OF FITNESS FOR A PARTICULAR PURPOSE ARE HEREBY DISCLAIMED. STREAMLINE® IS NOT LIABLE FOR ANY INDIRECT, PUNITIVE, INCIDENTAL, CONSEQUENTIAL, SPECIAL OR SIMILAR DAMAGES INCLUDING, BUT NOT LIMITED TO, TIME AWAY FROM WORK, HOTELS AND/OR RESTAURANT MEALS, REMODELLING EXPENSES IN EXCESS OF DIRECT DAMAGES WHICH ARE DEFINITELY CAUSED EXCLUSIVELY BY STREAMLINE®, LOST PROFITS OR REVENUE, INABILITY TO USE THE PRODUCT, OR ANY OTHER ASSOCIATED EQUIPMENT, THE COST OF SUBSTITUTE EQUIPMENT, AND ANY CLAIMS BY THIRD PARTIES RESULTING FROM THE USE OF THIS PRODUCT.

UNDER NO CIRCUMSTANCES SHALL STREAMLINE'S LIABILITY EXCEED THE PURCHASE PRICE OF THE UNIT

STREAMLINE® PRODUCTS MUST BE INSTALLED BY A FULLY INSURED, LICENSED, PROFESSIONAL WHO SHALL FOLLOW THE INSTRUCTIONS PROVIDED BY STREAMLINE®. SHOULD THE PRODUCT BE INSTALLED BY AN INDIVIDUAL WHO IS NOT A FULLY INSURED, LICENSED PROFESSIONAL, THIS SHALL VOID THE WARRANTY OF THE PRODUCT.

SHOULD A WARRANTY CLAIM ARISE AND EITHER PARTS, REPLACEMENT, OR REPAIR OF THE STREAMLINE PRODUCT IS NECESSARY, FULFILLING THE INITIAL WARRANTY CLAIM SHALL DISCHARGE STREAMLINE® OF ANY FUTURE WARRANTY OBLIGATION. IF THE PURCHASER REFUSES THE WARRANTY SOLUTION PROVIDED BY STREAMLINE®, THIS ACT SHALL VOID THE WARRANTY. UNDER BOTH INSTANCES, STREAMLINE® WILL NOT BE HELD RESPONSIBLE FOR ANY COSTS ASSOCIATED WITH SERVICING THE WARRANTY

NO PERSON MAY MAKE ANY REPRESENTATION, AFFIRMATION, OR WARRANTY OTHER THAN THOSE CONTAINED IN THIS WARRANTY. ANY AFFIRMATION, REPRESENTATION OR WARRANTY BY ANY PERSON WHO IS NOT A STREAMLINE® EMPLOYEE SHALL NOT BE ENFORCEABLE AGAINST STREAMLINE®

Streamline® makes no representations about the quality, durability, or need for service or repair of its products other than the representations contained in this warranty. If you want a longer or more comprehensive warranty than the limited warranty that comes with this product, you should ask Streamline® or your retailer about buying an extended warranty. This warranty gives you specific legal rights, and you may have other rights that vary from state to state. Some states do not allow the exclusion or limitation of incidental or consequential damages, and some states do not allow limitations on how long an implied warranty lasts, so the limitations or exclusions stated above may not apply and may vary from state to state.

The warranties stated herein apply only to the first purchaser of the Product and are not transferable. Streamline® reserves the right to request proof of purchase at the time any warranty claim is submitted to confirm that the Product falls within the scope of this limited product warranty.

OUT OF WARRANTY PRODUCT

STREAMLINE® IS UNDER NO OBLIGATION, AT LAW OR OTHERWISE, TO PROVIDE YOU WITH ANY CONCESSIONS, INCLUDING REPAIRS, PRORATES,

LIMITED MANUFACTURER'S WARRANTY

All parts and finishes of Streamline® products are warranted to the original consumer purchaser to be free from defects in material and workmanship for a period of two to five years [depending on the product and model; please check the product listing or email us at support@streamlinebath.com if you are unsure] after the date of original retail purchase. Proof of the original purchase is required to obtain a remedy under this limited warranty. Streamline® recommends using a certified professional for all installation and repair of kitchen and bathroom fixtures.

Streamline® will replace, free of charge, during the warranty period any part or finish that proves defective in material and/or workmanship under normal installation, use and service. Replacement parts may be obtained by emailing us at support@streamlinebath.com

This warranty is extensive in that it covers replacement of all defective parts and even finish, but these are the only two things that are covered. Labor charges and/or damage incurred in installation, repair, or replacement as well as any other kind of loss or damages are excluded. Proof of purchase (original sales receipt) from the original consumer purchaser must be made available to Streamline® for all warranty claims. This is the exclusive warranty by Streamline®, which does not make any other warranty of any kind, including the implied warranty of merchantability. This warranty excludes all industrial, commercial and business usage, whose purchasers are hereby extended a one-year limited warranty from the date of purchase, with all other terms of this warranty applying except the duration of the warranty.



WHAT IS NOT COVERED UNDER THIS LIMITED WARRANTY

- Normal wear and tear, spills of food, liquid, grease accumulations or cosmetic damage.
- Damage due to accidents, misuse, physical force, improper installation or operation, mishandling, neglect, fire, heat, water, humidity, liquids, insect infestation, or other intrusion.
- Products that have been repaired, altered or modified by anyone other than Streamline® or its authorized service representative.
- Damage caused by use of non-Streamline® accessories or misapplication.
- Products whose serial numbers have been removed, altered or rendered illegible.
- Products purchased, shipped from, used or serviced outside the United States, Canada, and Mexico.
- Damage caused by acts of nature such as, but not limited to, lightning damage.
- Products returned without valid proof of purchase.
- Consumable parts such as light bulbs, metal, and charcoal filters.
- Any party's willful misconduct, negligence, misuse, abuse, accidents, neglect, improper operation, failure to maintain, improper or negligent installation, tampering, failure to follow operating instructions, mishandling, unauthorized service (including self-performed "fixing" or exploration of the product's internal workings).
- Use of corrosive or abrasive cleaning products.
- Cosmetic damages including scratches, dents, chips and other damage, unless such damage results from defects in materials and workmanship and is reported to Streamline within 3 calendar days of delivery.
- Use of the Product in anything other than its normal, customary and intended manner.
- A failure to comply with any applicable state, local, city or county electrical, plumbing and/or building codes, regulations, or laws, including failure to install the product in strict conformity with local fire and building codes and regulations.
- In no event shall Streamline have any liability or responsibility whatsoever for damage to surrounding property, including cabinetry, floors, ceilings, and other structures or objects around the product.

NO ATTEMPT TO ALTER, MODIFY, OR AMEND THIS WARRANTY SHALL BE EFFECTIVE UNLESS AUTHORIZED IN WRITING BY AN OFFICER OF STREAMLINE.

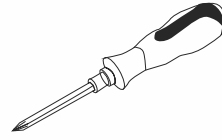
4. Tools Required



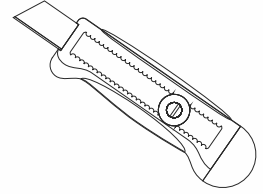
Electric Drill



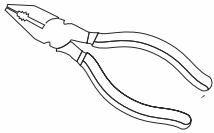
5/16" Drill Bit



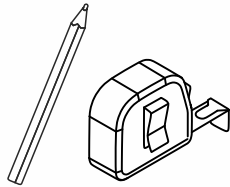
Screwdriver



Utility Knife



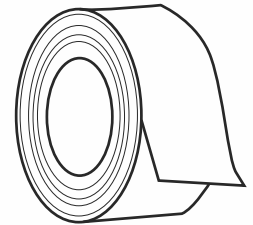
Pliers



**Tape Measure
& Pencil**



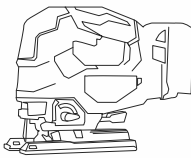
**Electrical
Wiring**



**Aluminum Foil
Tape/Duct Tape**



Hammer



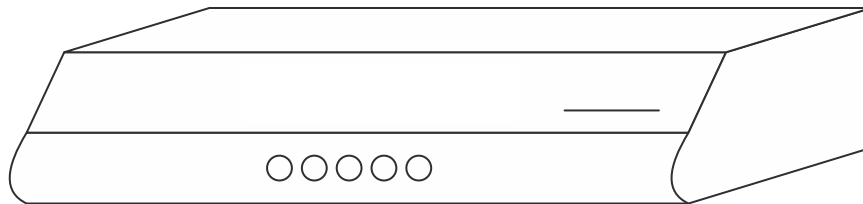
**Jigsaw/Saber
Saw**

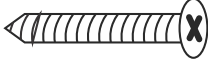
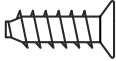
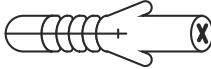



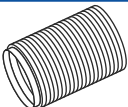


Stud Finder

5. Parts Supplied

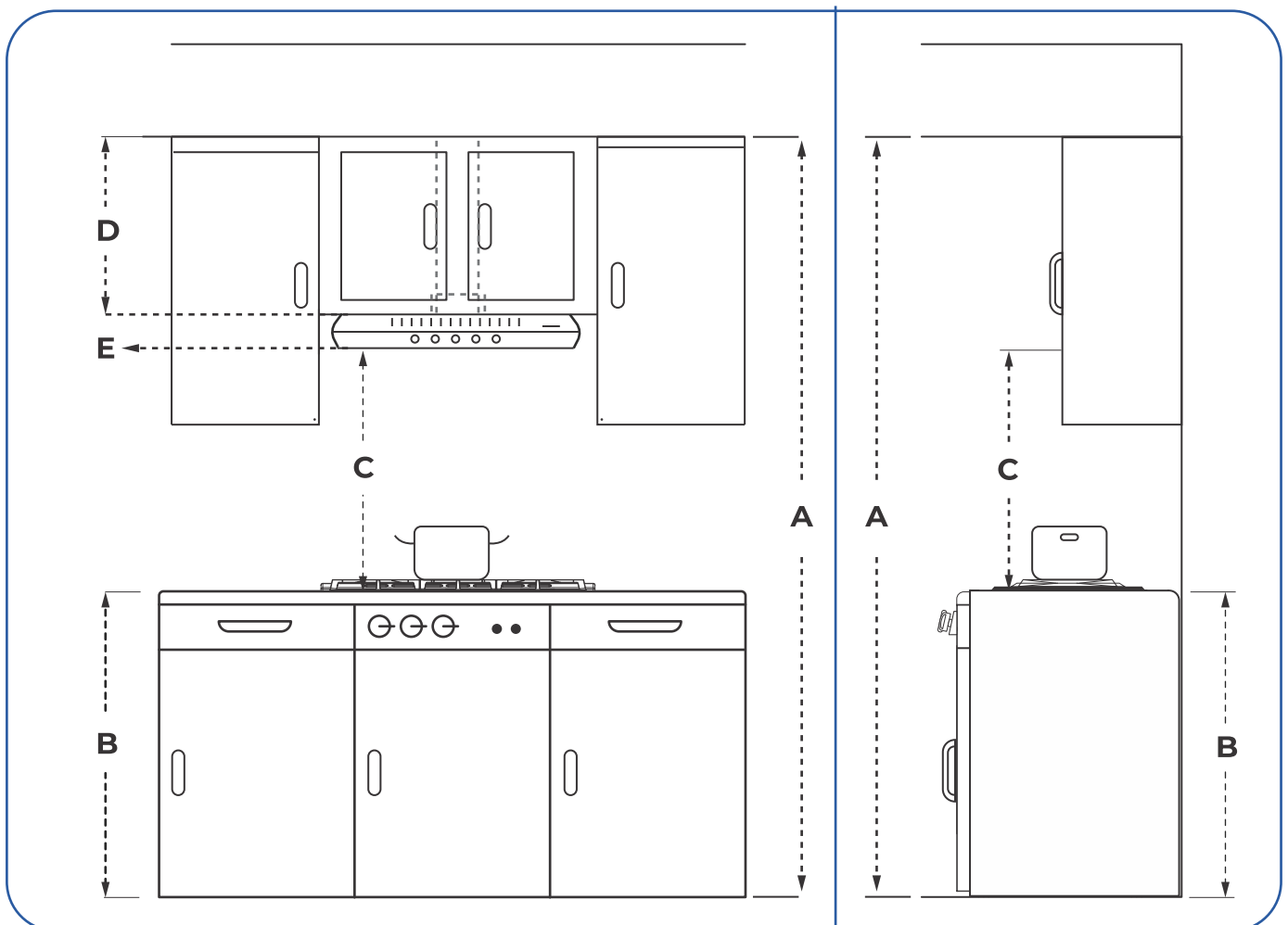
Range Hood



Name	Image	Qty
ST4x30 Mounting Screws		10
ST4x6 Mounting Screws		8
Wall Anchors		10
Square Outlet		1
Round Outlet		1
Charcoal Filter Set		1
6" Round Aluminum Duct (Length: 6.5 ft.)		1

6. Installation Dimensions

A	Floor To Ceiling Height
B	Floor To Counter Top Height (Standard: 36")
C	Height of Counter Top to Range Hood Bottom (Minimum 26"-30")
D	Kitchen Cabinet Height
E	Range Hood Installation Height [A-D-(B+C)]

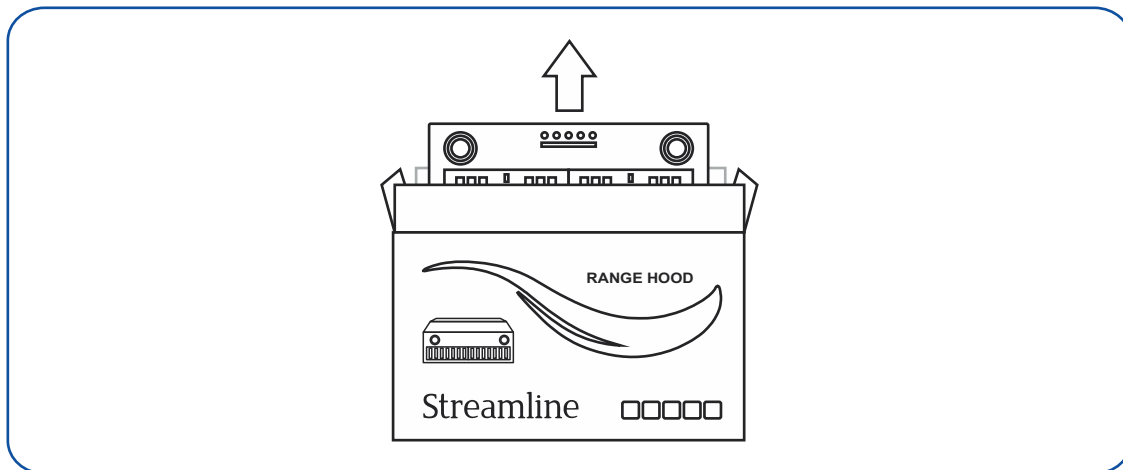


7. Ventilation Options

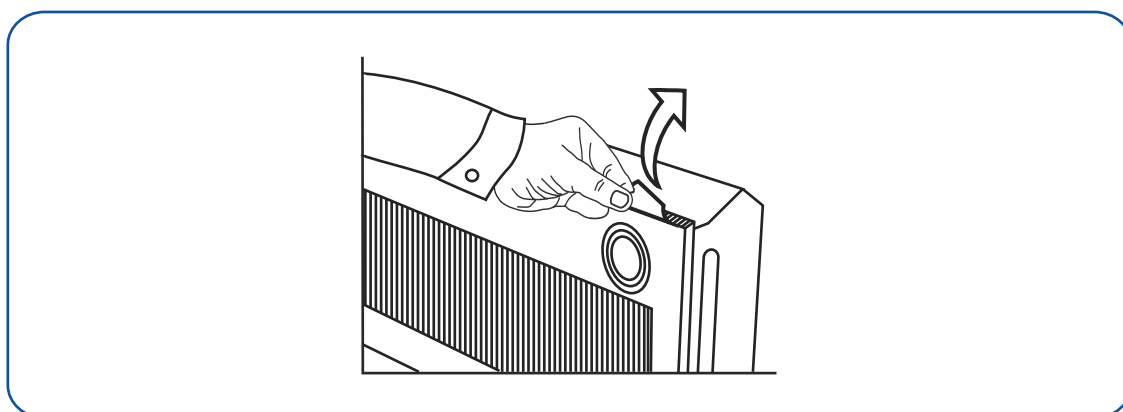
- We recommend installing the vent system before installing the range hood.
- A damper is required in the venting system. If the wall or roof cap already has a damper, do not use the damper that comes with the range hood.
- Ensure that the exhaust hose is fully extended to maximize airflow.
- For the best results, it is advised to limit the length of the exhaust duct hose and the number of bends in the system to achieve optimal performance.
- Ensure that the exhaust hose is fully extended to maximize airflow.
- For the best results, it is advised to limit the length of the exhaust duct hose and the number of bends in the system to achieve optimal performance.
- The ideal length of the duct system is between 35 and 40 feet.
- Make sure there is enough clearance within the ceiling or wall for the exhaust vent before making any cutouts.
- Only use metal ducting, with rigid metal ducting being the preferred option. Avoid using plastic or metal foil ducting.
- If the diameter of the exhaust ducting is less than 5.91 inches (15.0 cm) or if flat ducting is used, the range hood's noise level may increase and the exhaust efficiency may be reduced.
- To ensure that all joints in the ductwork are appropriately connected, carefully inspect each joint. Use certified aluminum or foil tape to seal and tape all joints securely. Clamps may also be used.
- To minimize the backward flow of cold air and prevent the conduction of outside temperatures, it is advisable to add an additional backdraft damper and thermal break in the duct system. The damper must be placed on the cold air side of the thermal break, which should be installed as close as possible to where the duct system enters the heated portion of the house.
- Avoid using a 4" laundry wall cap.
- Attach the end of the exhaust hose to a vent leading outside of the home. Avoid ventilating the range hood into an attic or other closed area to prevent the buildup of harmful fumes and to ensure proper ventilation.
- Do not use more than three 90-degree elbows not to affect range hood performance.
- It is permissible to install a 90-degree elbow directly above the range hood.
- If multiple elbows are used, ensure there is at least 24 in. of straight duct between them.
- Do NOT install two elbows together.
- You may use caulking to seal the exterior walls or roof openings around the vent cap.
- A 90-degree elbow may be needed to vent through a wall.

8. Installation Instructions

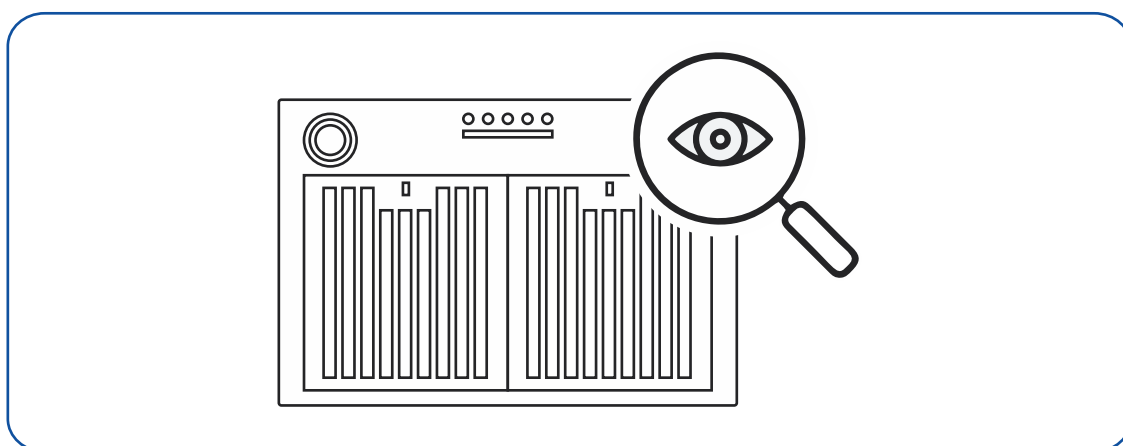
1. The range hood should be carefully removed from its packaging.



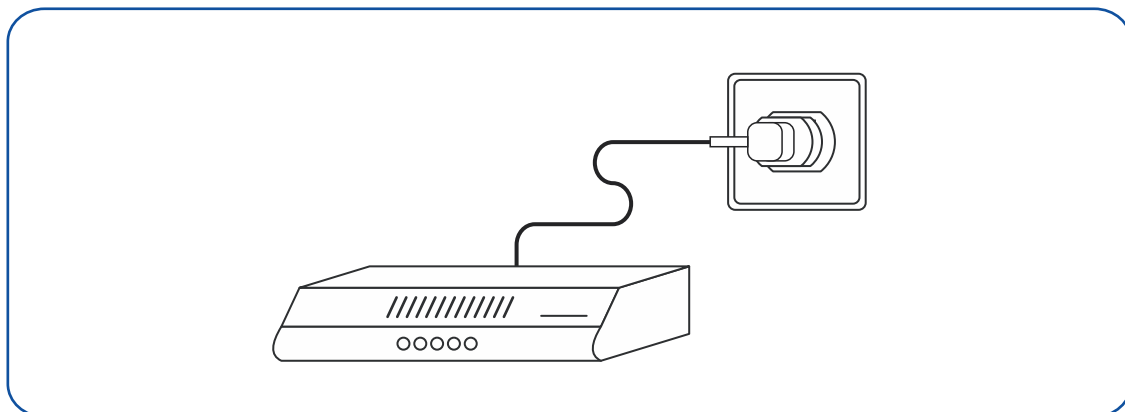
2. Remove the protective blue/white film from the range hood.



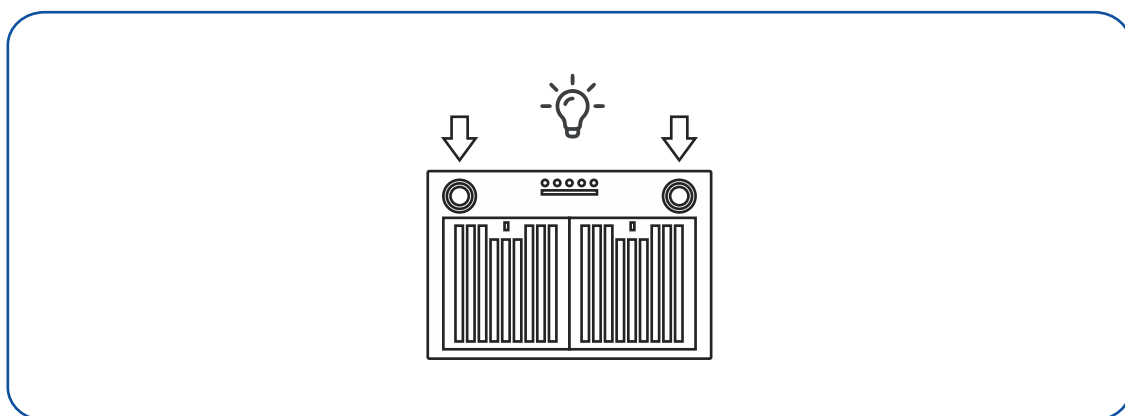
3. Ensure that there are no components or packaging materials that may have become trapped or left inside the range hood and remove any, if necessary.



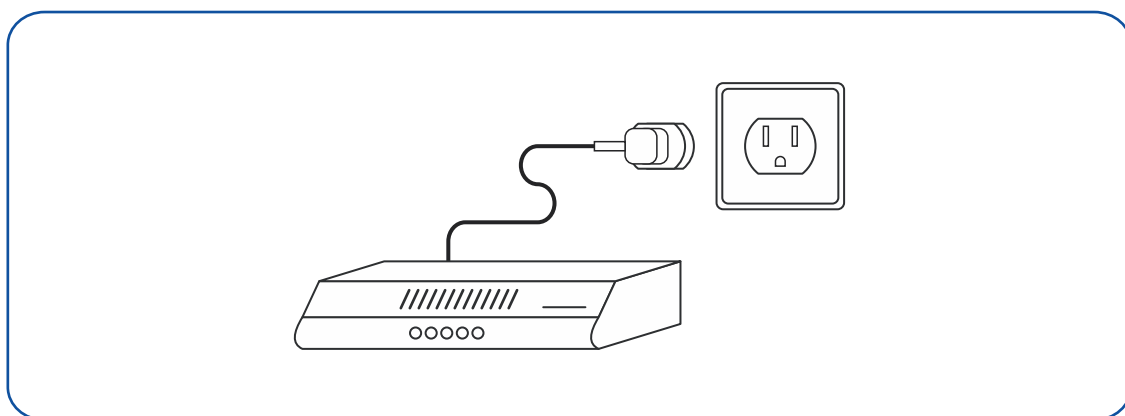
4. Test to ensure that the range hood works by plugging it into an electrical outlet.



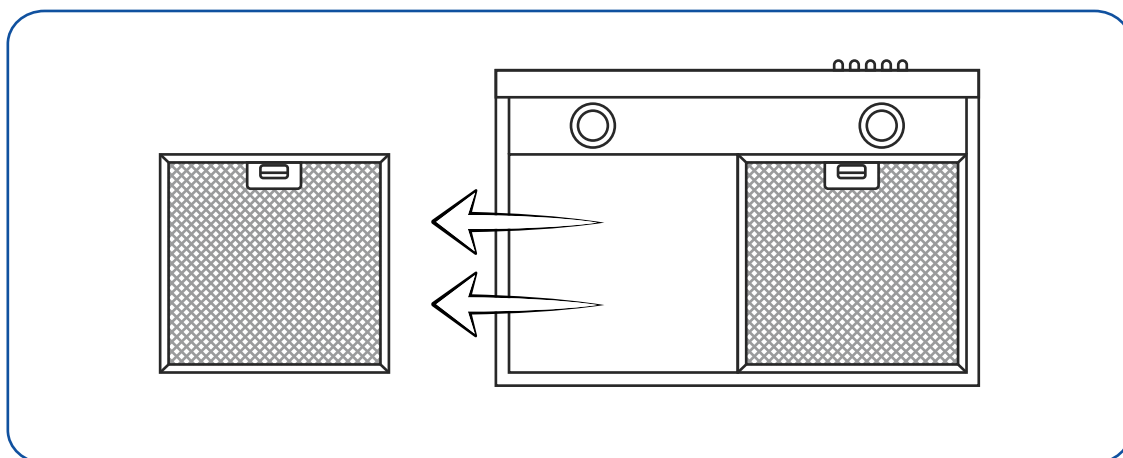
5. Check that all features are properly functioning and that the LED lights work.



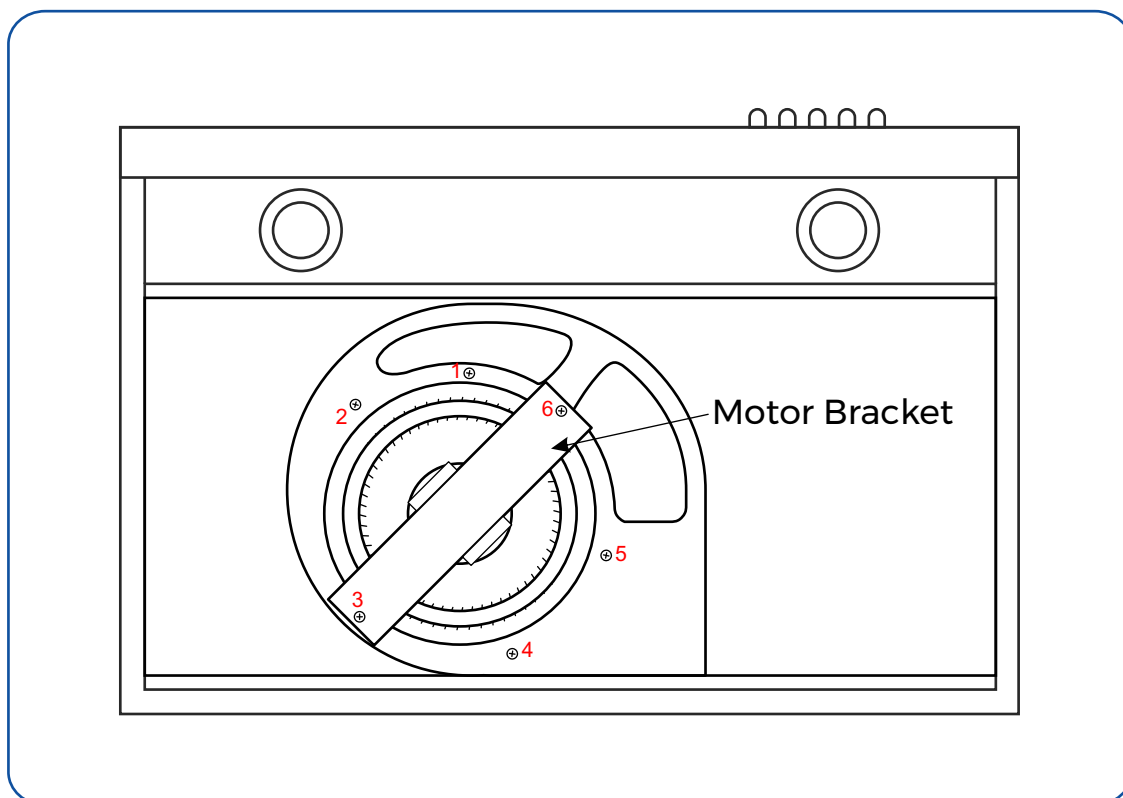
6. Unplug the range hood.



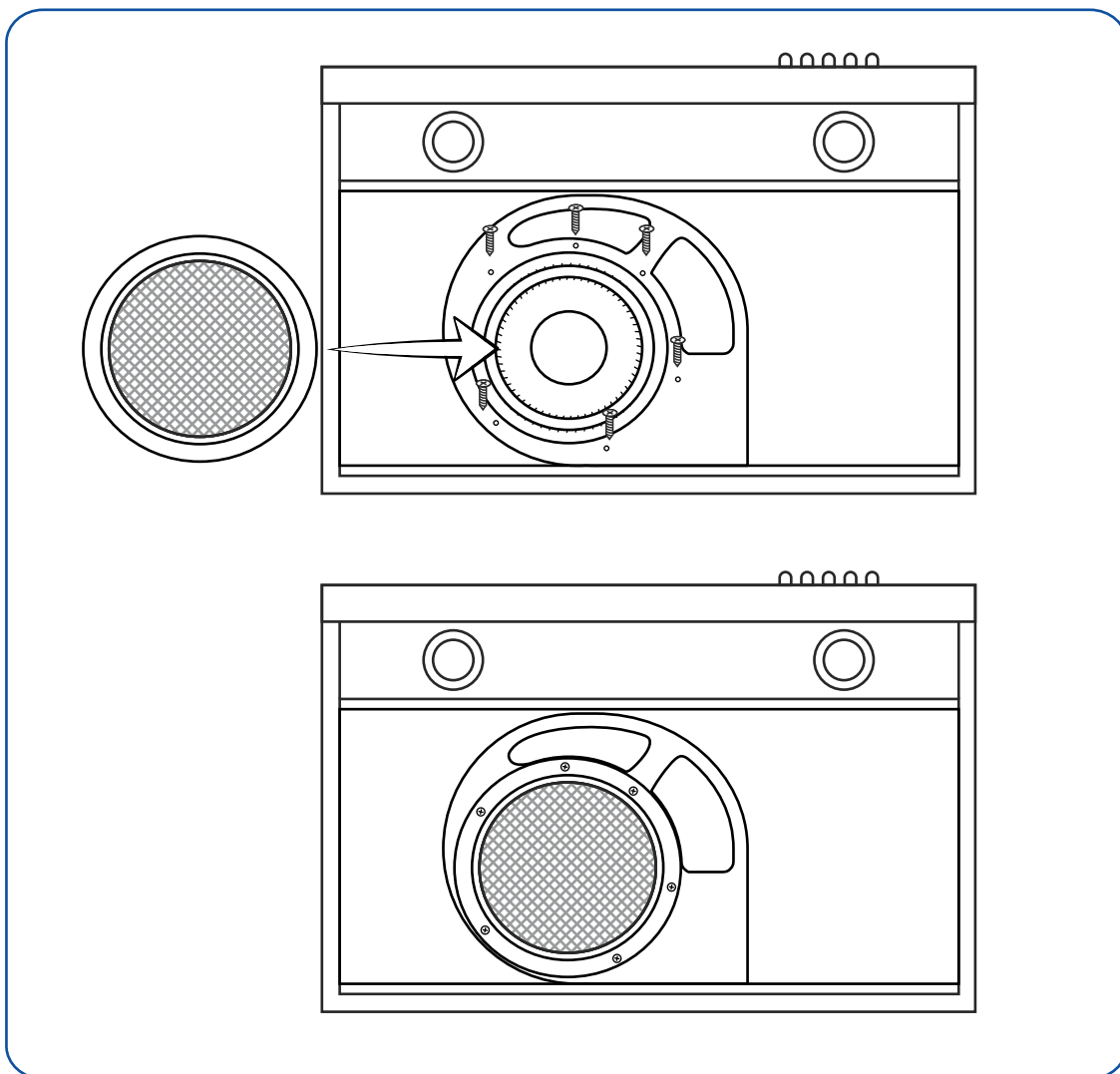
7. Remove the mesh or baffle filters, depending on the range hood that was purchased.



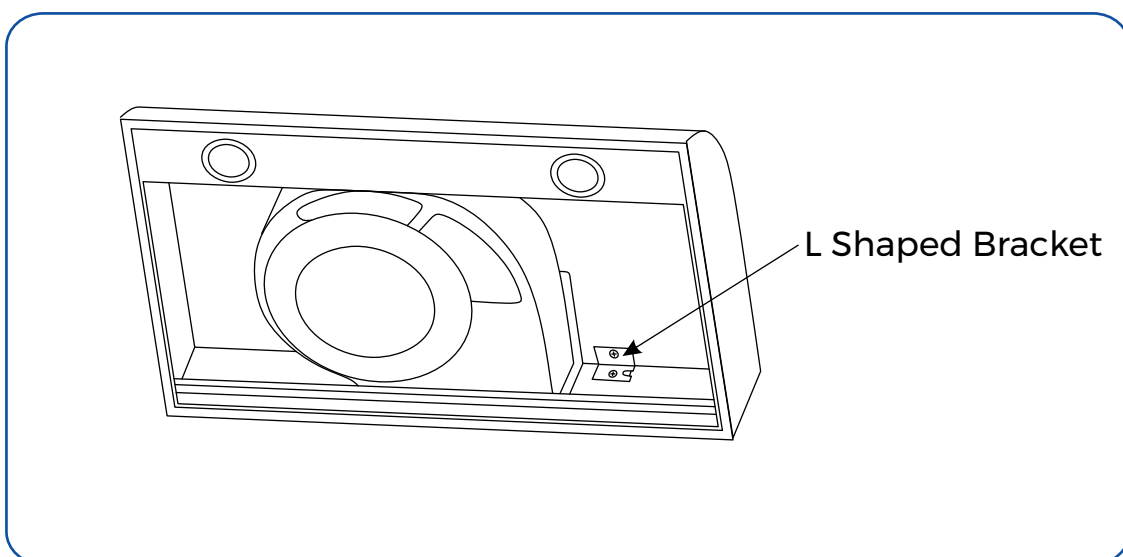
8. Remove the bracket by unscrewing the two screws securing it. The bracket was installed to protect the motor during transportation. Once removed, it is no longer needed and can be discarded.
- a. The bracket was installed to protect the motor during transportation. After removal, the bracket is no longer needed and can be discarded.



- b. After removing the bracket, reinstall the air inlet using the 2 previously removed screws, along with 4 additional ST4x30 screws.



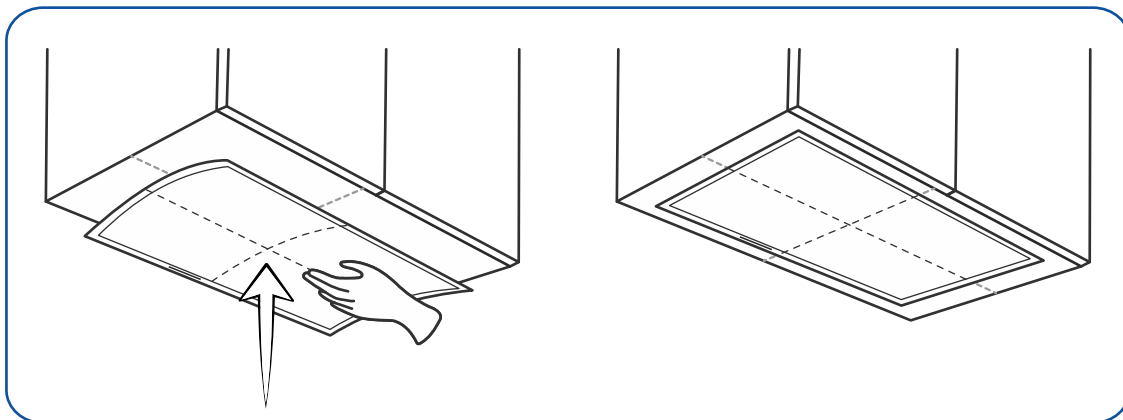
9. Remove the screws securing the L-shaped bracket.



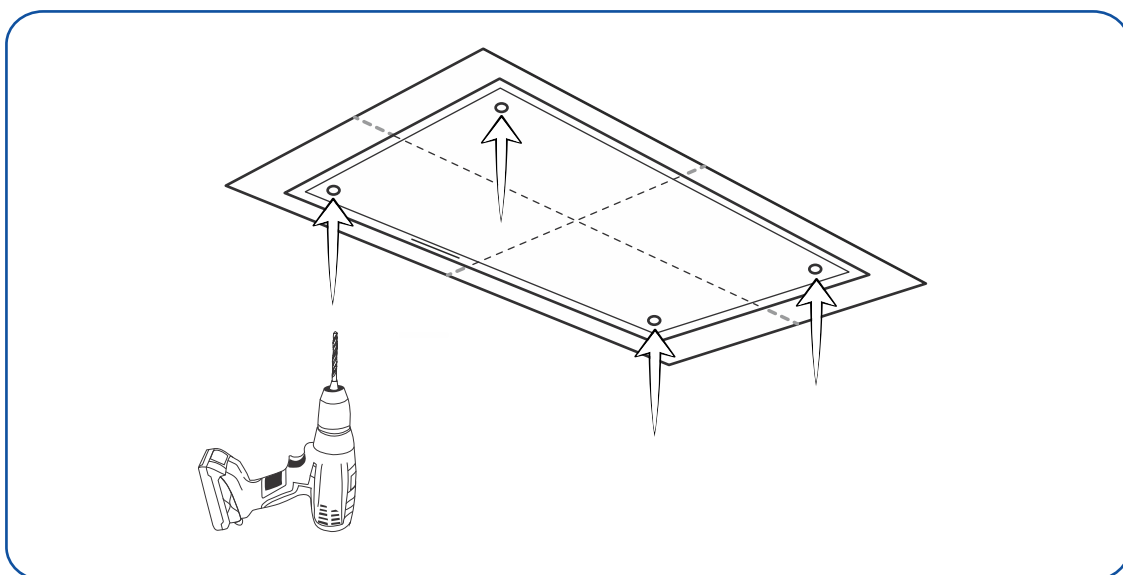
Under-Cabinet Installation

10. If you plan to use the provided template, affix the template with tape to the bottom of the cabinet. Use a pencil to trace and mark the spots on the bottom of the cabinet where drilling will occur for the mounting holes as well as for the duct.

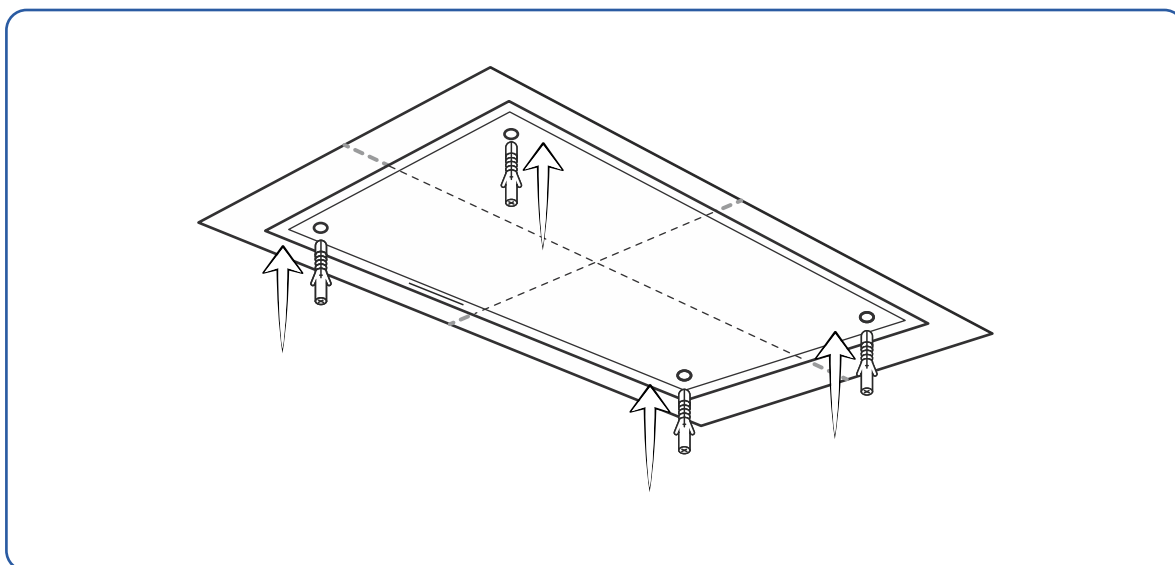
Alternatively, you may also position the range hood underneath the cabinet and mark the location of the mounting holes on the cabinet as well as the duct cutout.



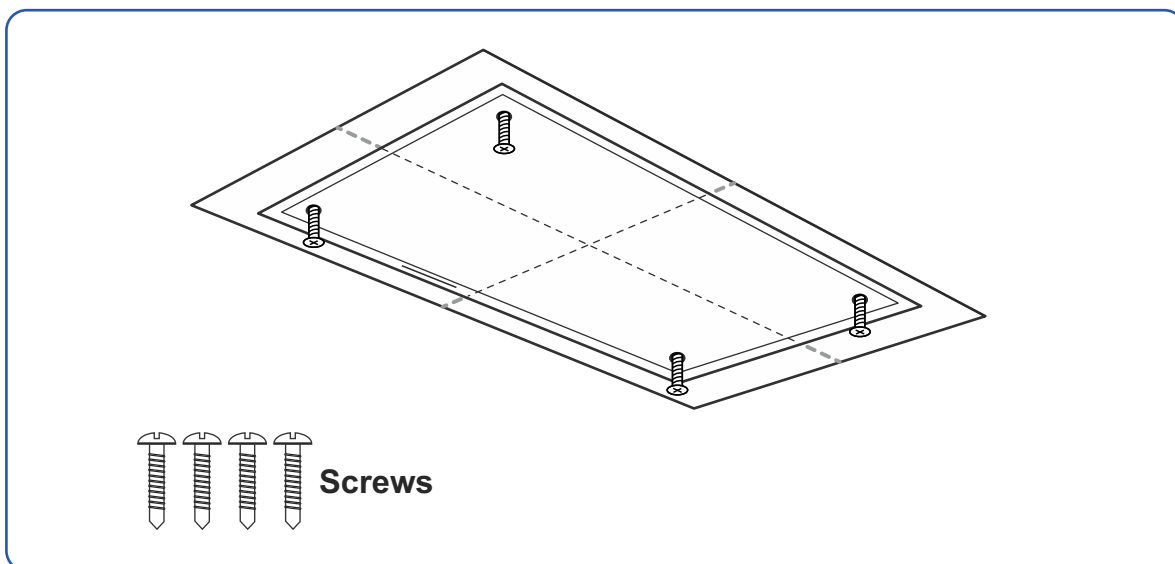
a. Use a 5/16" [8mm] drill bit to make (4) pilot holes in the cabinet at the marked locations. For wood, use a 5/32" drill bit.



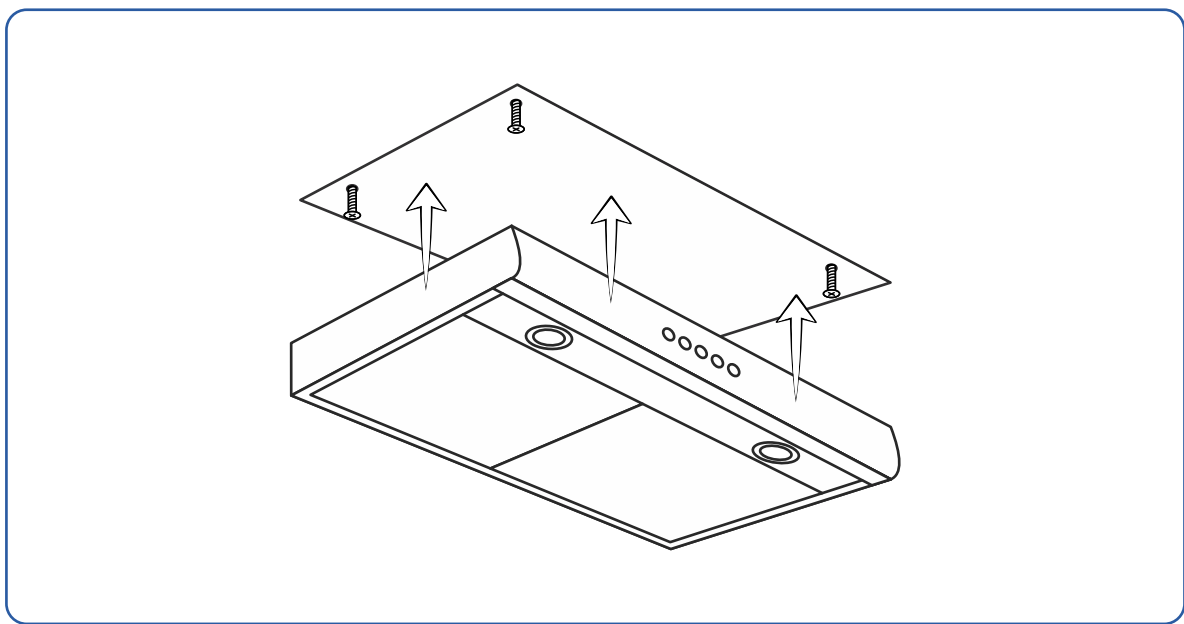
11. Insert the plastic wall anchors firmly into the four drilled holes.



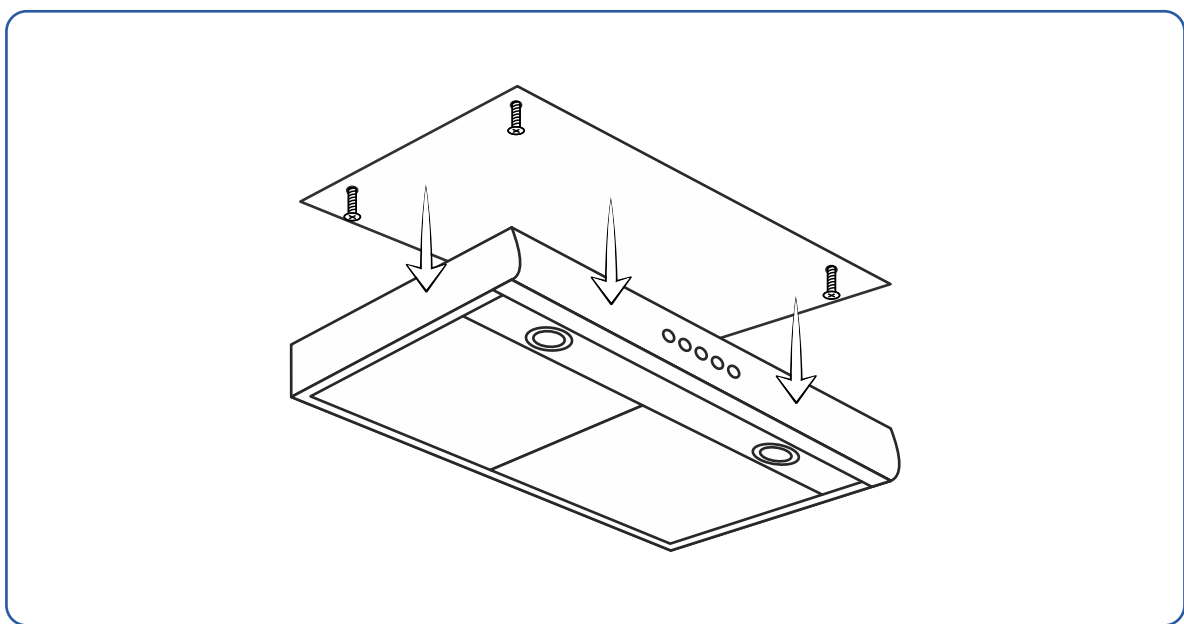
12. Insert the ST4*30 screws into the plastic wall anchors, leaving about 1/4 of an inch of the screw protruding from the cabinet. It will be tightened after the range hood is hung in the final step.



13. Check for stability by mounting the range hood onto the screws and ensuring it fits tightly and securely.

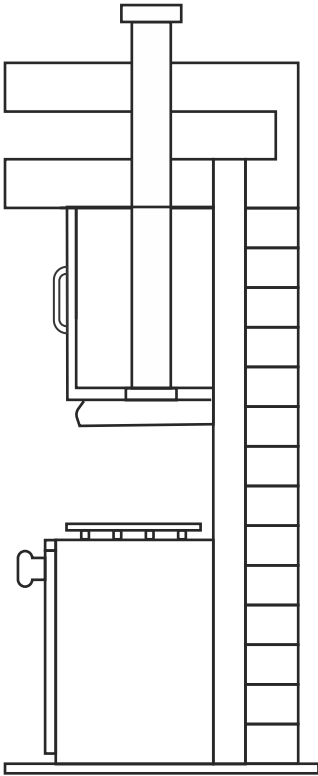
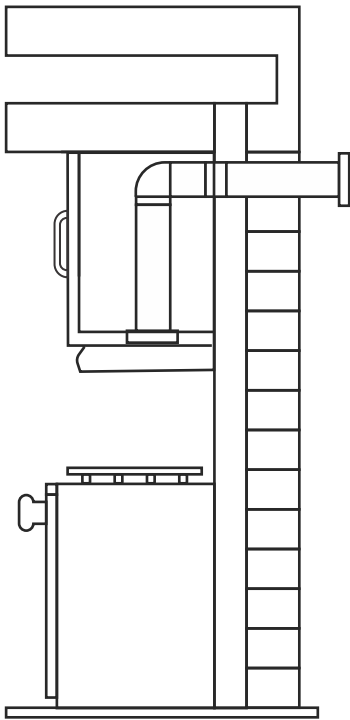
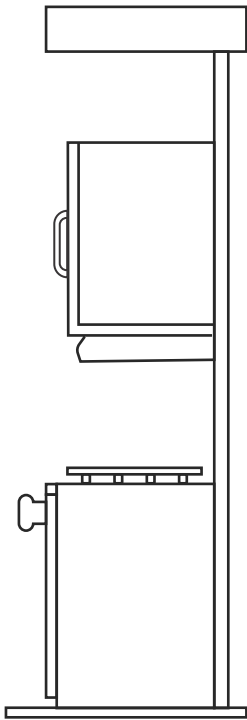


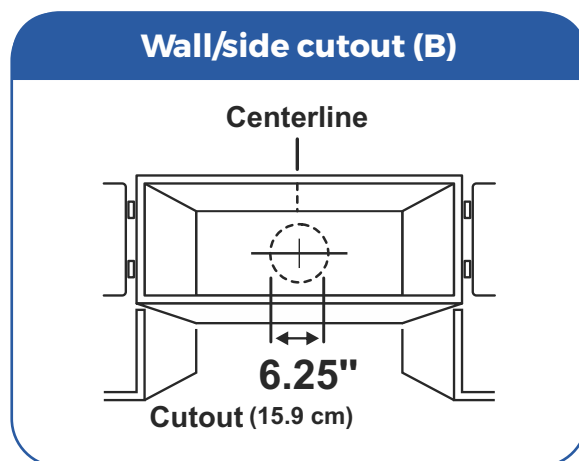
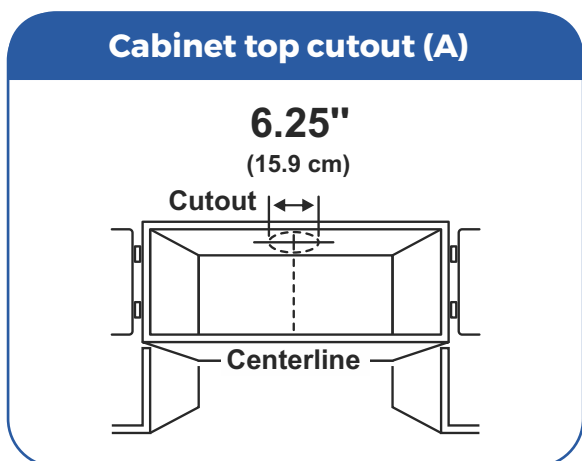
14. Remove the range hood from the mounting screws.



15. There are multiple ventilation choices available for the range hood:

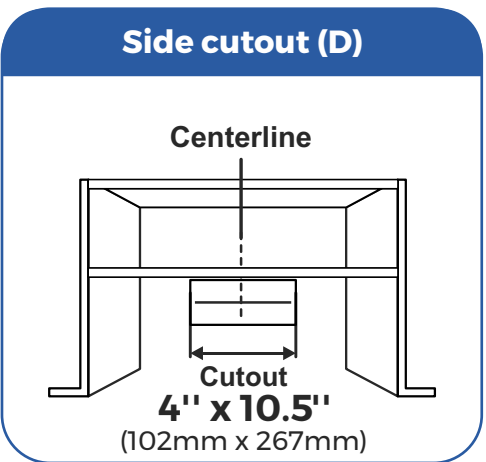
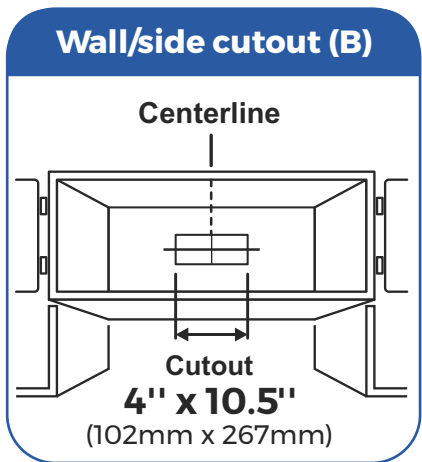
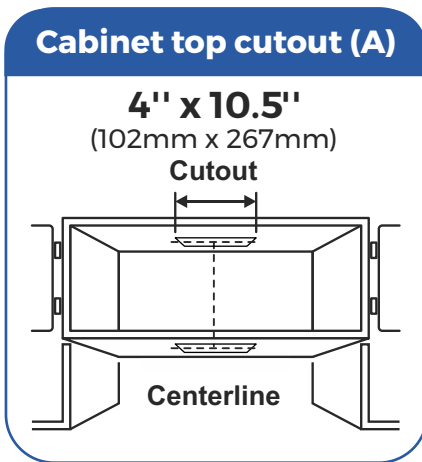
Round Duct Ventilation Method

A	B	C
<p>Venting through the roof: If you choose to vent through the roof, you will need to make an extra cutout of 6.25"(159mm) to accommodate the duct passing through the ceiling.</p>	<p>Venting through the wall: When venting through the wall, an extra cutout of 6.25" (159mm) will need to be made to allow for the duct to be properly connected outside.</p>	<p>Ductless Ventilation: No additional ductwork is required for a ductless installation. The air will circulate through the range hood and exit out into the kitchen.</p>
		



Rectangular Duct Ventilation Method

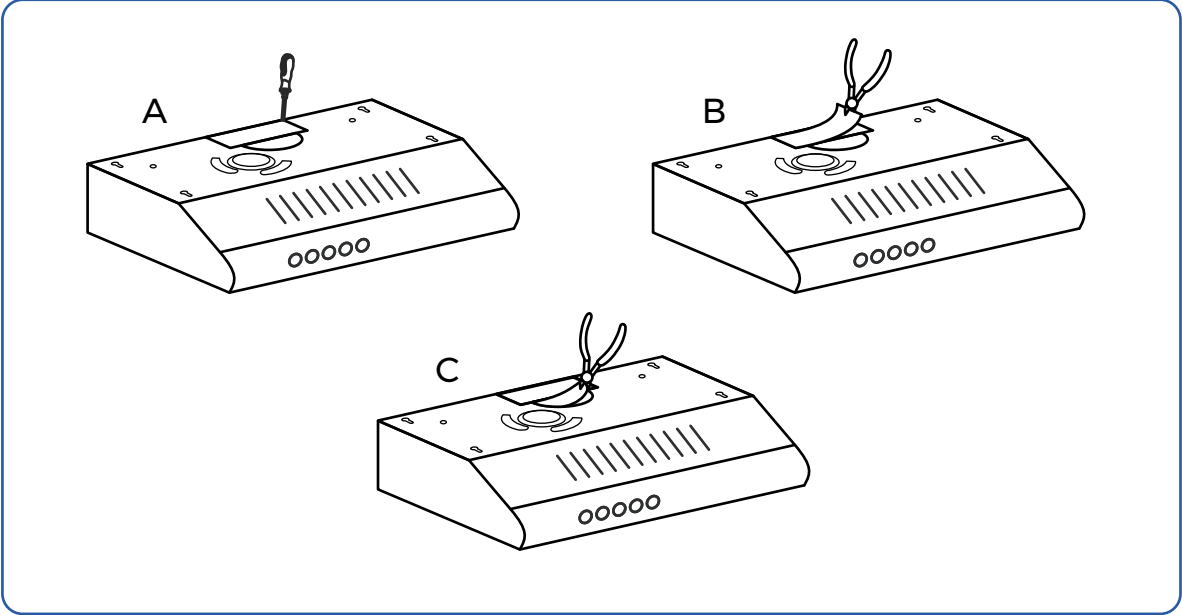
A	B	C	D
<p>Venting through the roof</p> <p>If you choose to vent through the roof, you will need to make an extra cutout of 4" x 10.5" (102mm x 267mm) to accommodate the duct passing through the ceiling.</p>	<p>Venting through the wall</p> <p>When venting through the wall, an extra cutout of 4" x 10.5" (102mm x 267mm) will need to be made to allow for the duct to be properly connected outside.</p>	<p>Ductless Ventilation</p> <p>No additional ductwork is required for a ductless installation. The air will circulate through the rangehood and exit out into the kitchen.</p>	<p>Venting through the wall</p> <p>When venting through the wall, you will need to make an extra cutout of 4" x 10.5" (102mm x 267mm) to accommodate the rectangular duct to be properly connected outside</p>



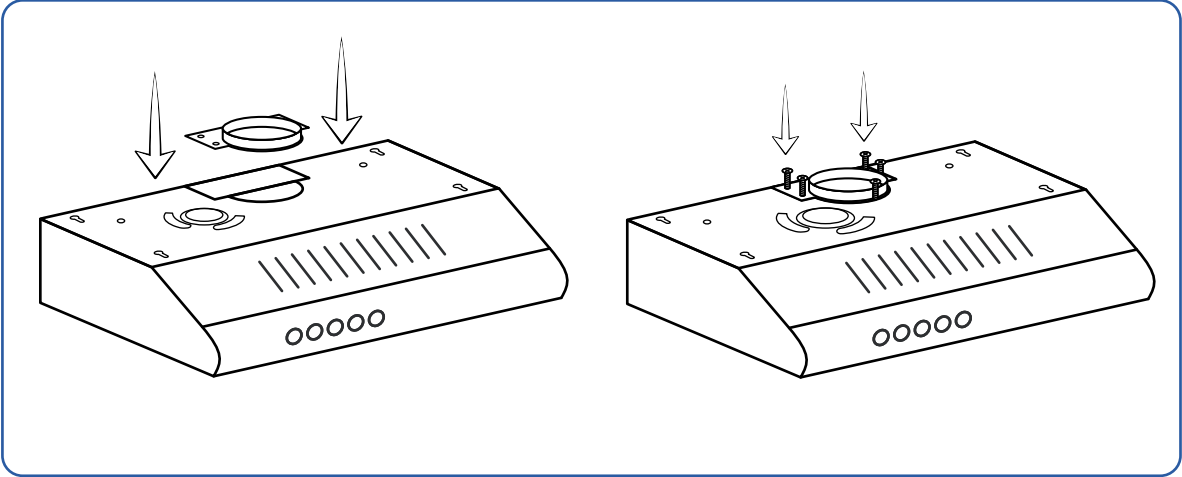
If installing using the ducted installation method, please follow the below steps. If using the ductless installation method, PLEASE SKIP and move to step #20, then proceed, to skip steps #21, 22.

Option #1: Round Duct Ventilation

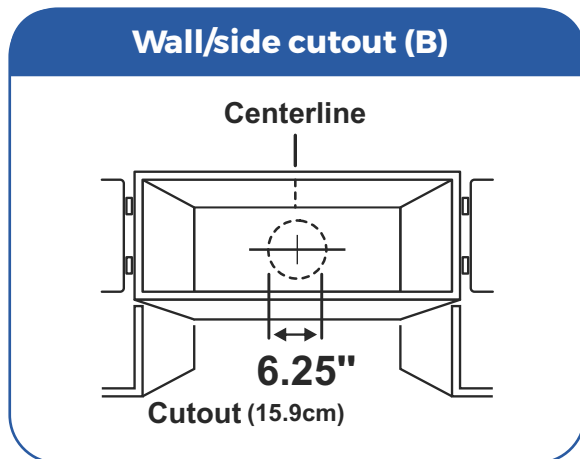
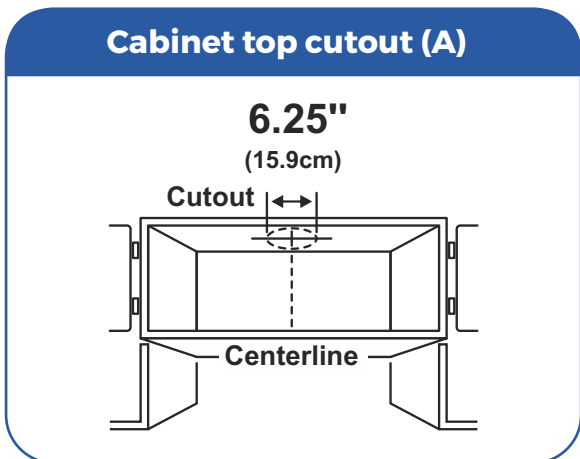
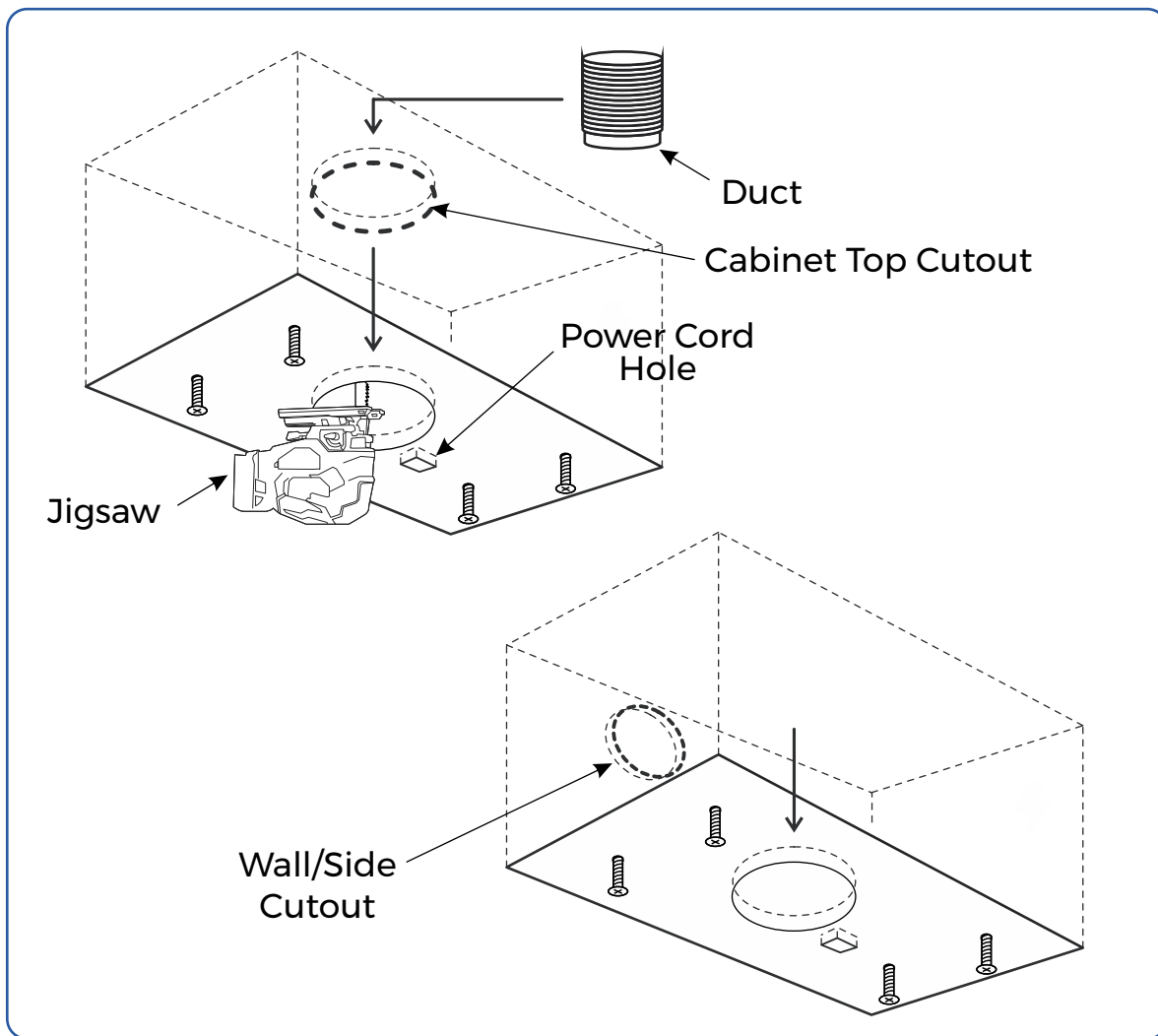
16. If you need 5.9" round venting, keep the unit as packaged and remove the plate from the range hood. Use pliers to disassemble the metal panel by pulling it from left to right. Then, pull the seal outward with the pliers to remove it.



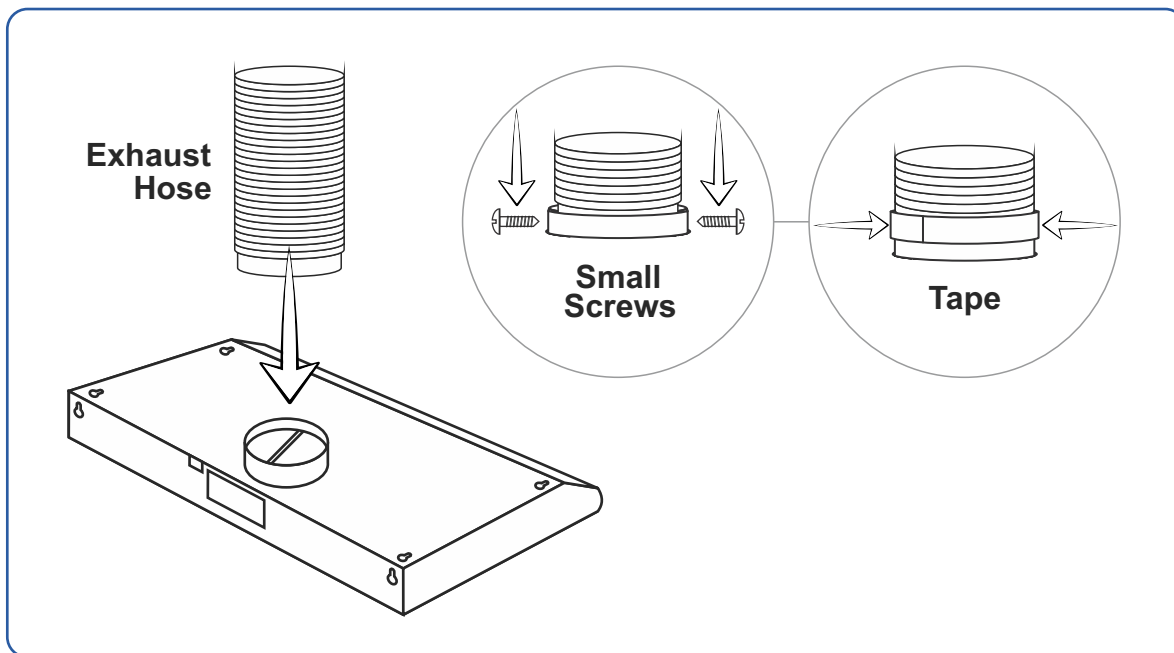
17. Once completed, place the round outlet on top and secure it with the 5 provided St4x6 screws.



- 18. Two holes need to be cut in the cabinet: one for the duct and another for the power cord.
 - a. Use a saw or drill to create a circular hole in the bottom of the cabinet with a diameter of 6.25 inches.
 - b. Drill a 1-1/2 inch hole into the bottom of the cabinet next to the vent hole to create an access hole for the power cord.
 - c. Remove any tape that may be on the duct.

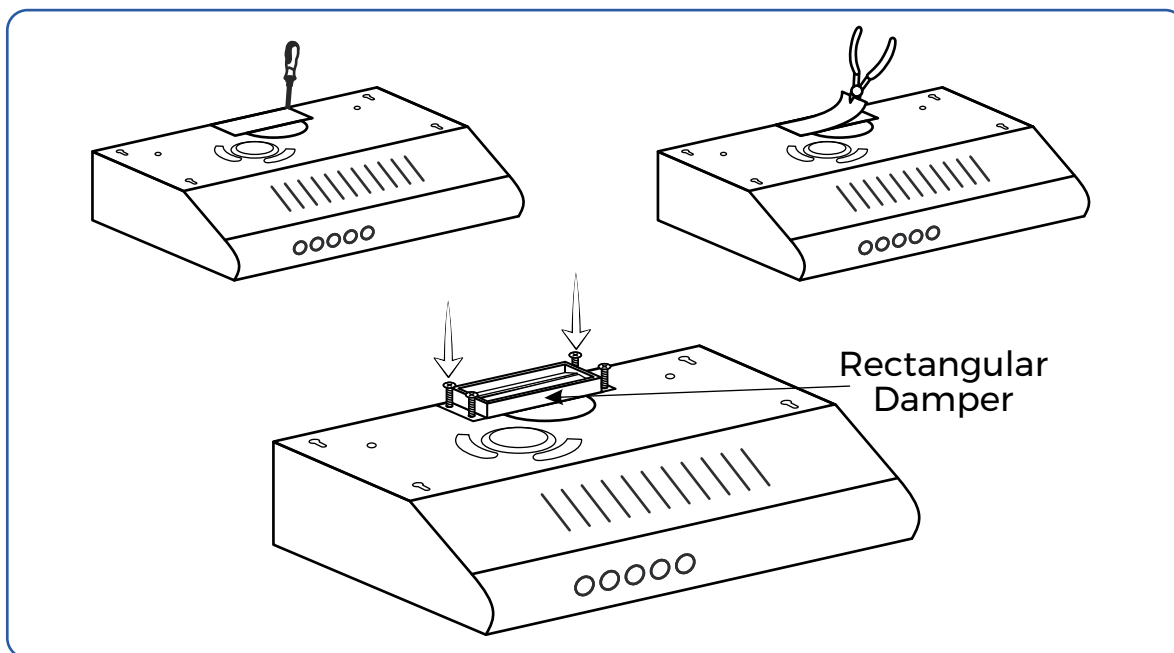


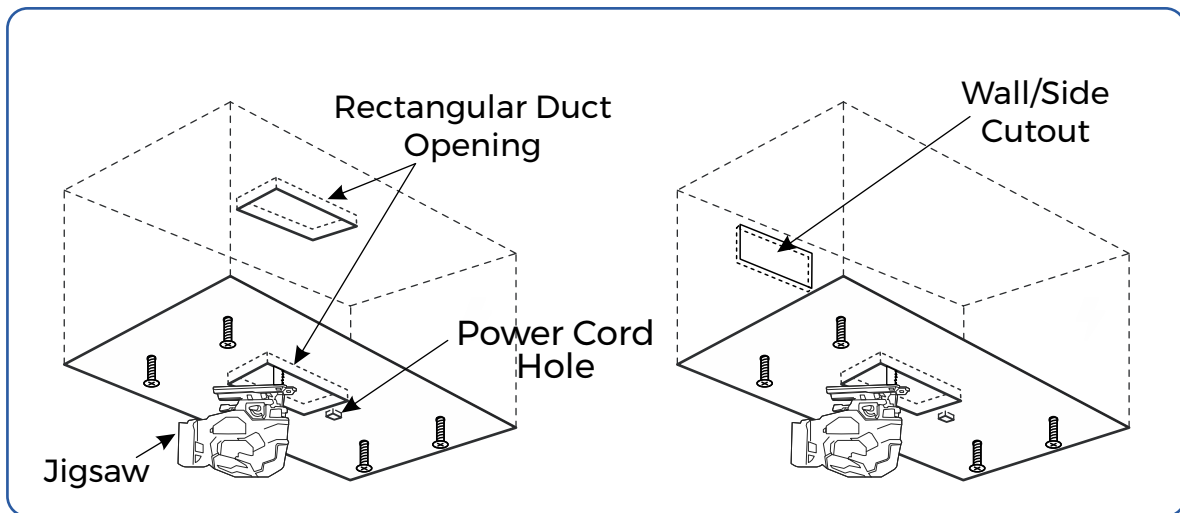
19. Connect the 5.9" round aluminum duct exhaust hose to the round vent air flap by placing one end of the hose over the flap and securing it with two small screws. Then, wrap the connection with tape or use a hose clamp and wrap it with tape to ensure a tight seal.



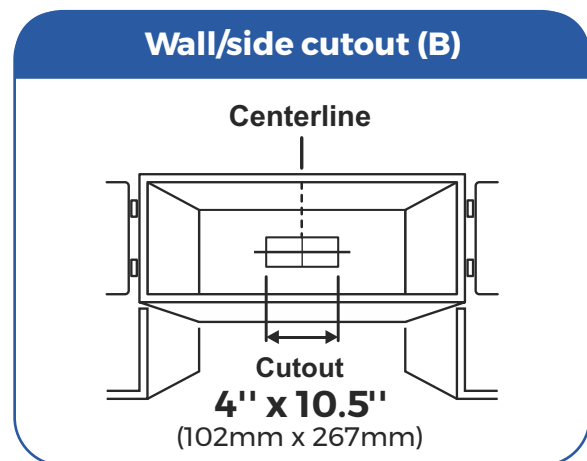
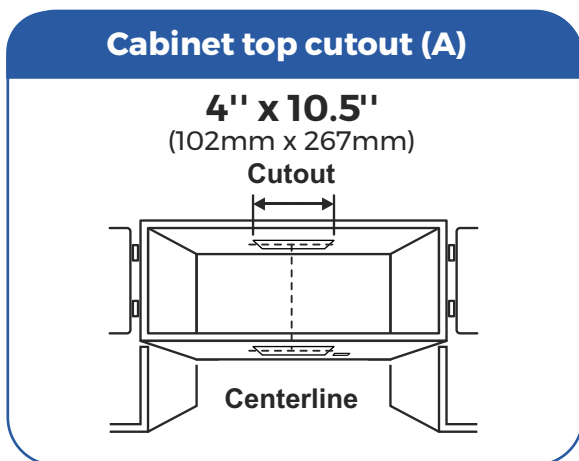
Option #2: Rectangular Duct Top Ventilation

If you need rectangular top (vertical) venting, install the provided rectangular damper. Secure it with 4 ST4x6 screws, and then connect the ductwork to the damper.



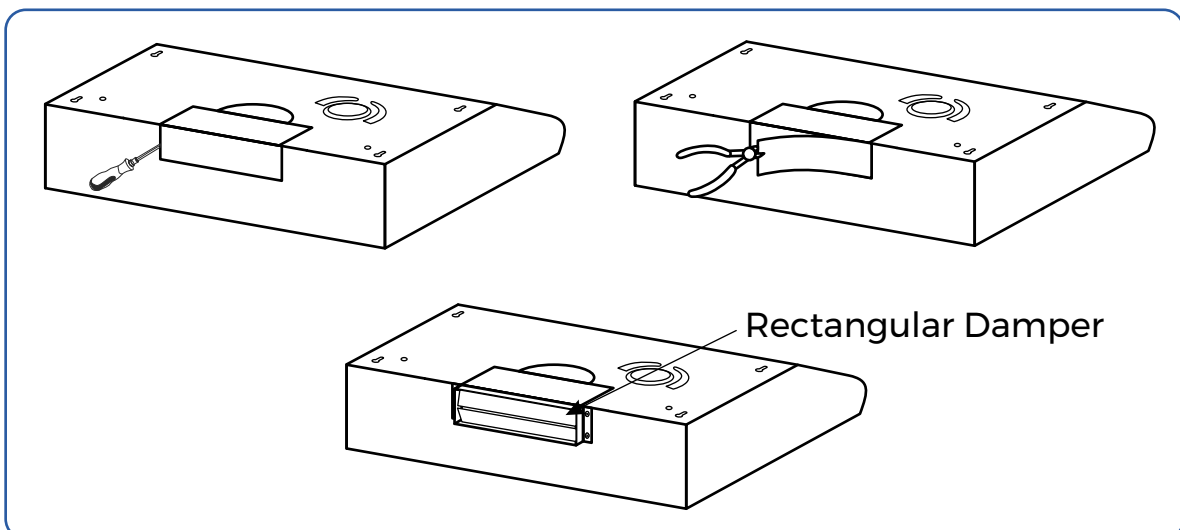


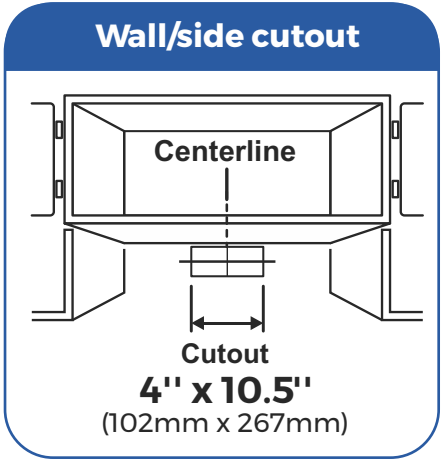
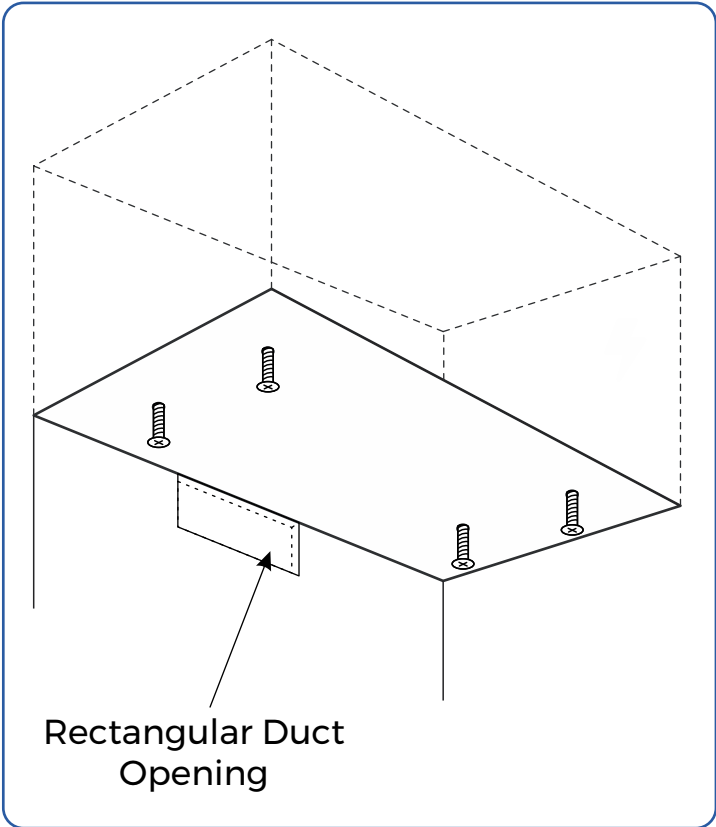
Drill a 1-1/2 inch hole into the bottom of the cabinet next to the vent hole to create an access hole for the power cord.



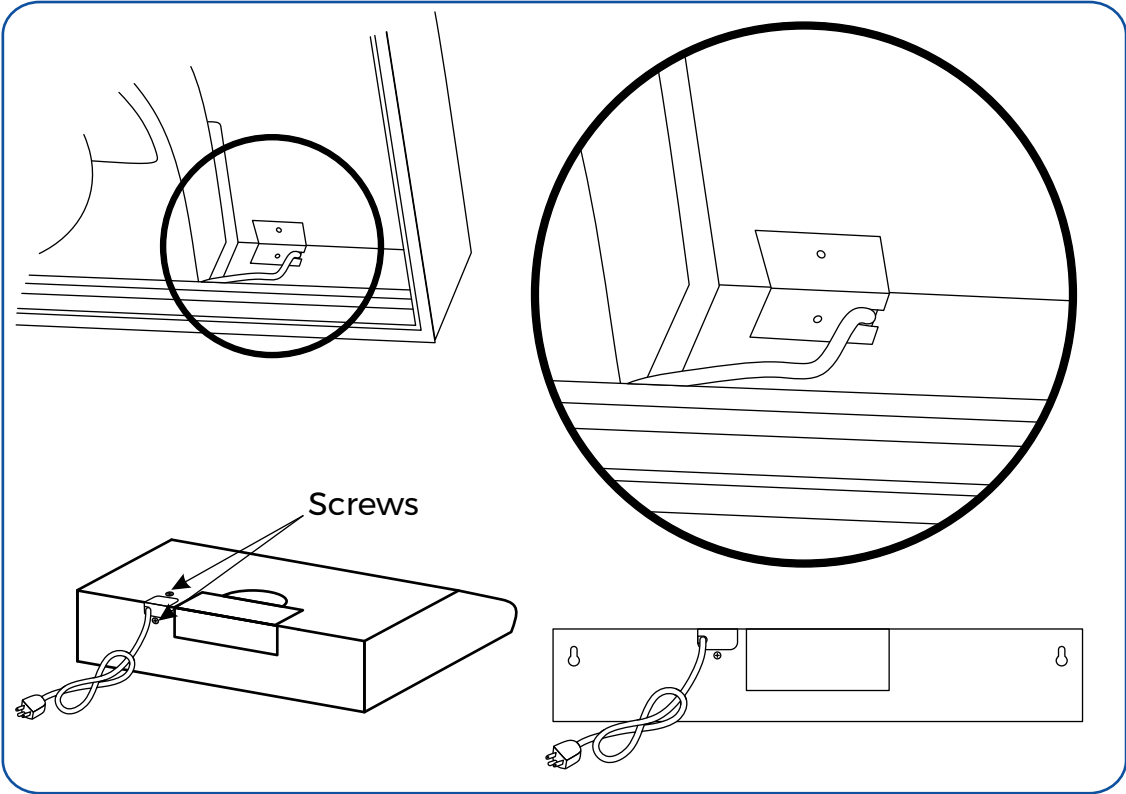
Option #3: Rectangular Duct Side Ventilation

If you need rectangular rear (horizontal) venting, install the provided rectangular damper. Secure it with 4 ST4x6 screws and connect the ductwork to the damper. Use tape to ensure the joint is sealed and airtight.

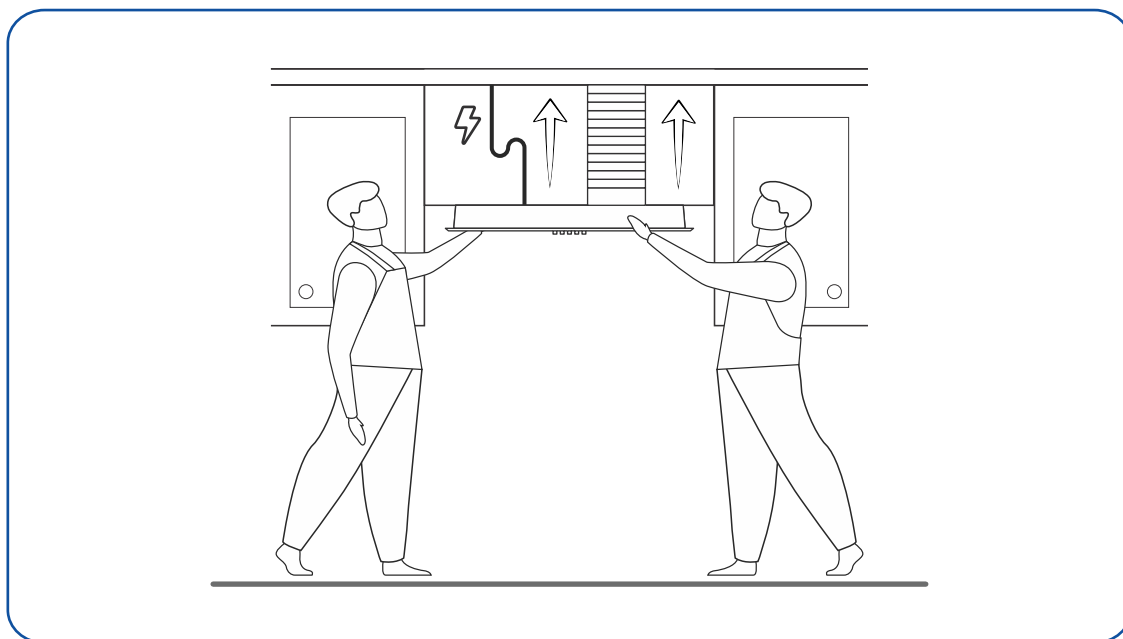




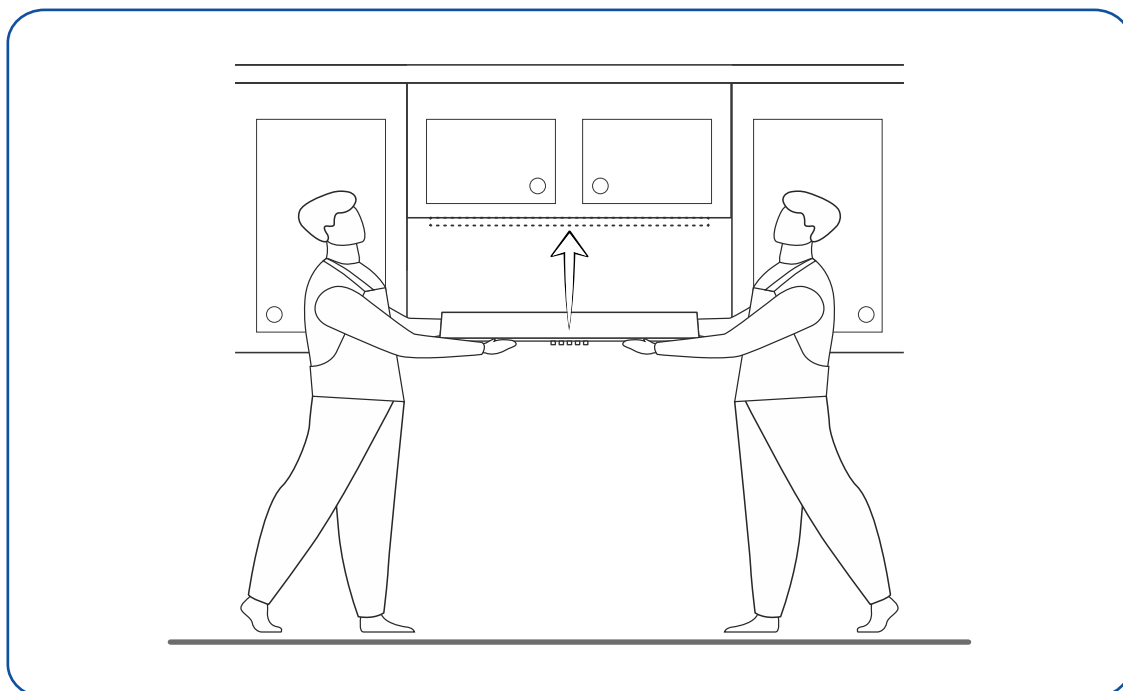
20. If the hood is installed in a recessed installation, pull the power cord out from the back of the range hood and adjust the position of the L-shaped bracket as shown. Secure the power cord in place and reattach the screws from the back of the range hood.



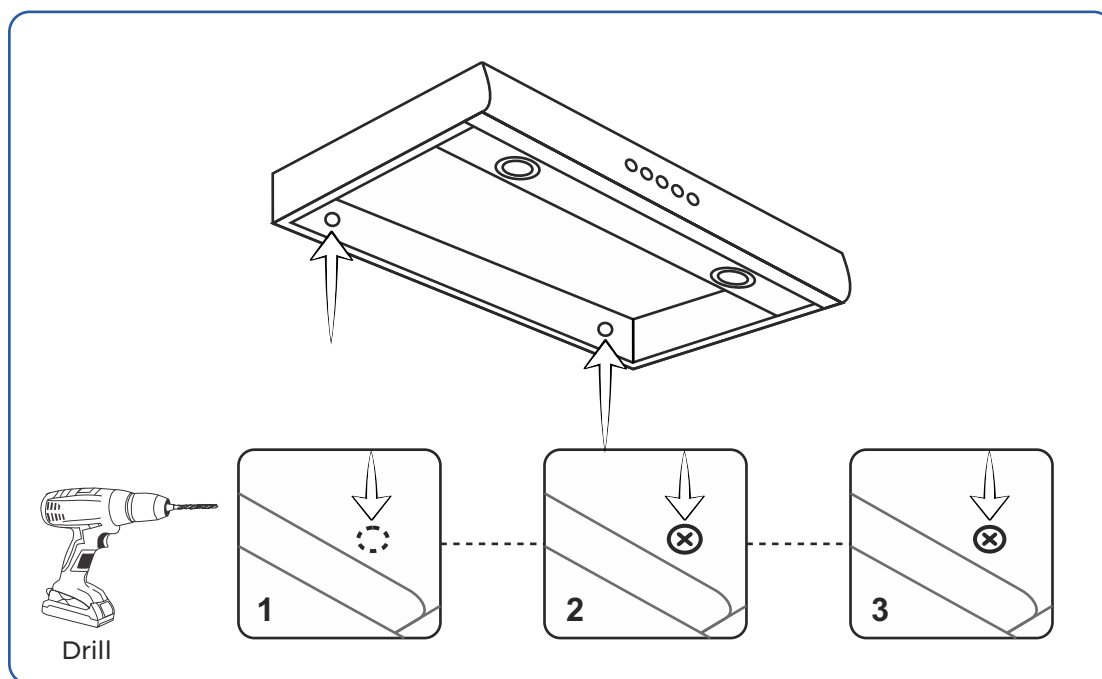
21. Pull the ductwork and electrical cord through the cabinet hole.



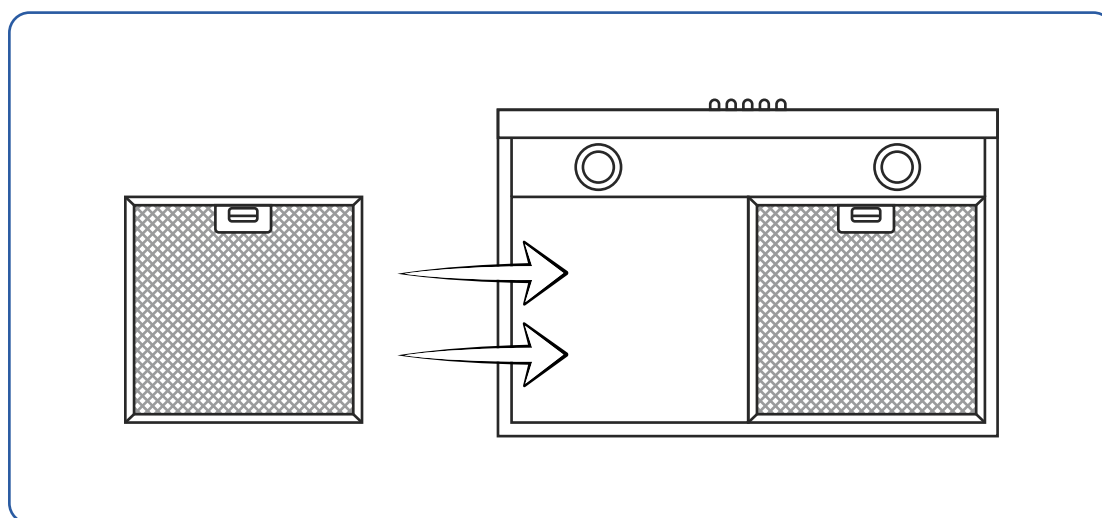
22. Lift and hang the range hood on the screws previously drilled.



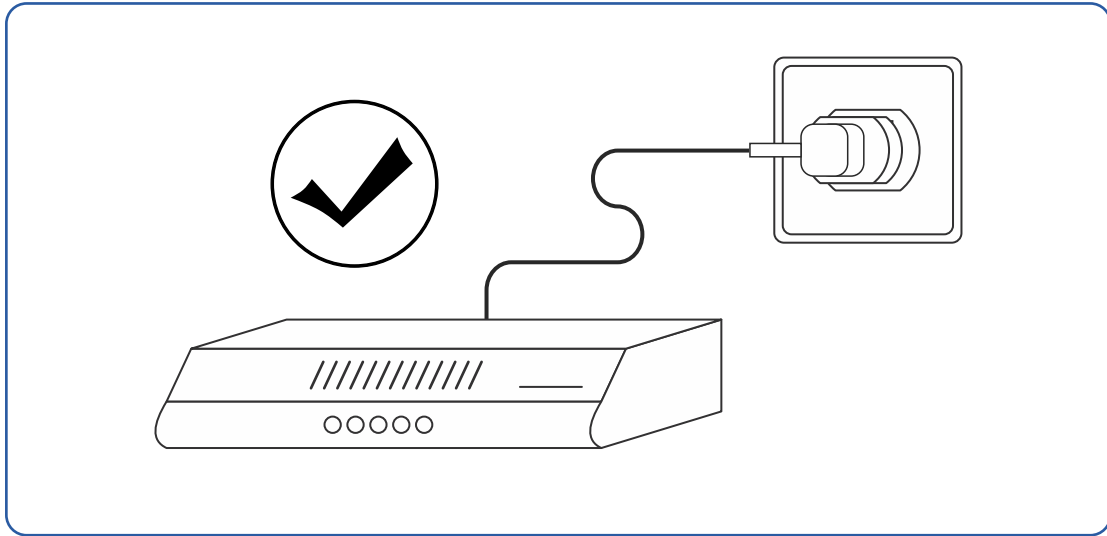
23. At the back of the range hood, right below the mounting holes, there will be 2 visible holes (1 on each side). These are additional safety holes to help secure the range hood in position.
- Use a 5/16" [8mm] drill bit to make pilot holes in the cabinet at the marked locations. For wood, use a 5/32" drill bit
 - Fasten the range hood using (2) ST4*30 screws.
 - Tighten the four initial mounting screws that you drilled into the cabinet.



24. **FOR DUCTLESS INSTALLATION ONLY:** Attach the provided charcoal filters onto the range hood motor. For detailed instructions on how to insert the charcoal filters, please see Section 11 on page #45.
25. Re-insert either the mesh or baffle filters into the range hood.

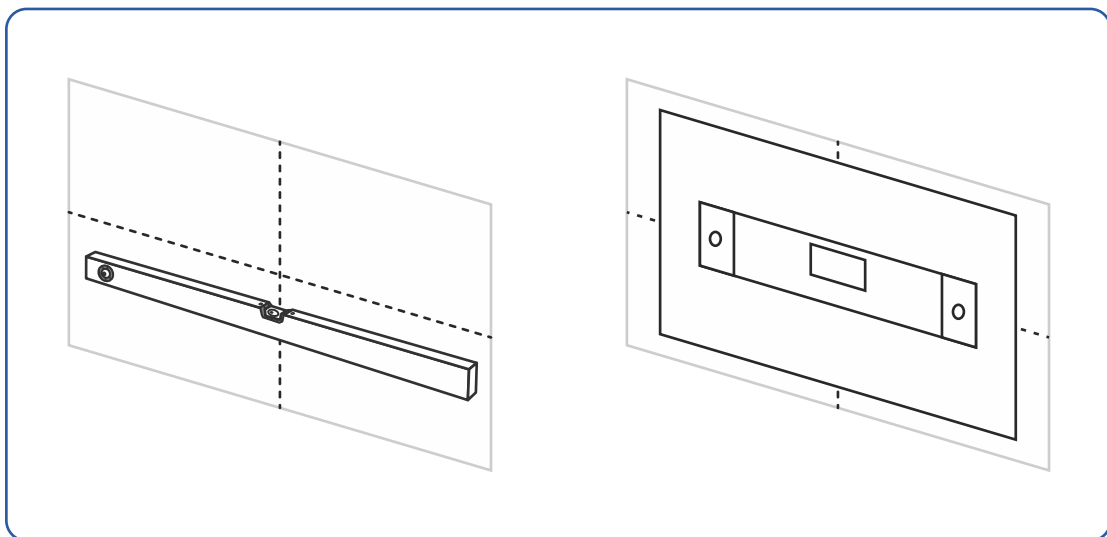


25. Plug in the range hood to the electrical outlet. Make sure that all operations are functioning properly.



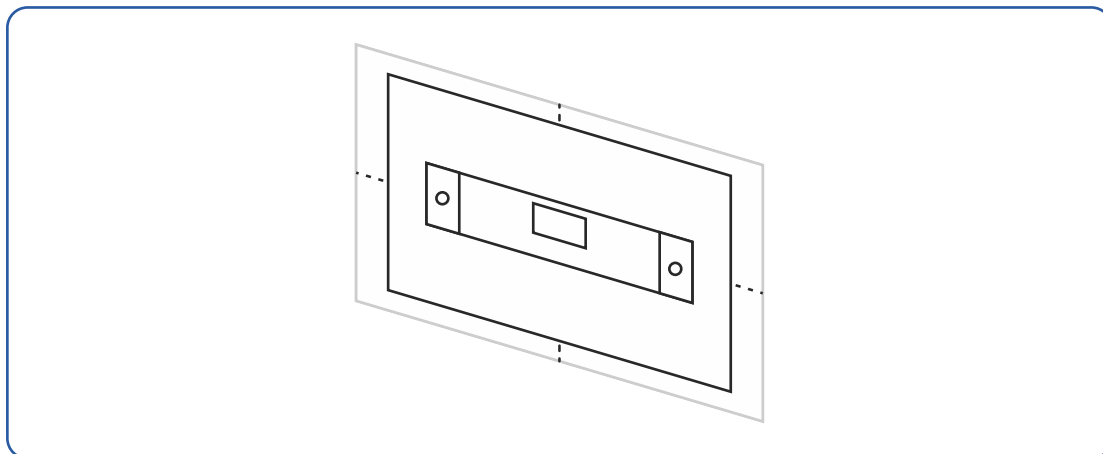
Wall Mount Installation

1. Find the optimal height for mounting the range hood. For the best results, it is recommended to place it between 26.5 to 30 inches above the range.
 - a. Once the ideal mounting height is determined, create a marking at a horizontal level. This will be for the bottom of the range hood.
 - b. Locate the vertical centerline on the wall in reference to the horizontal line, marking the position where the range hood will be mounted. This line will reflect the center point.

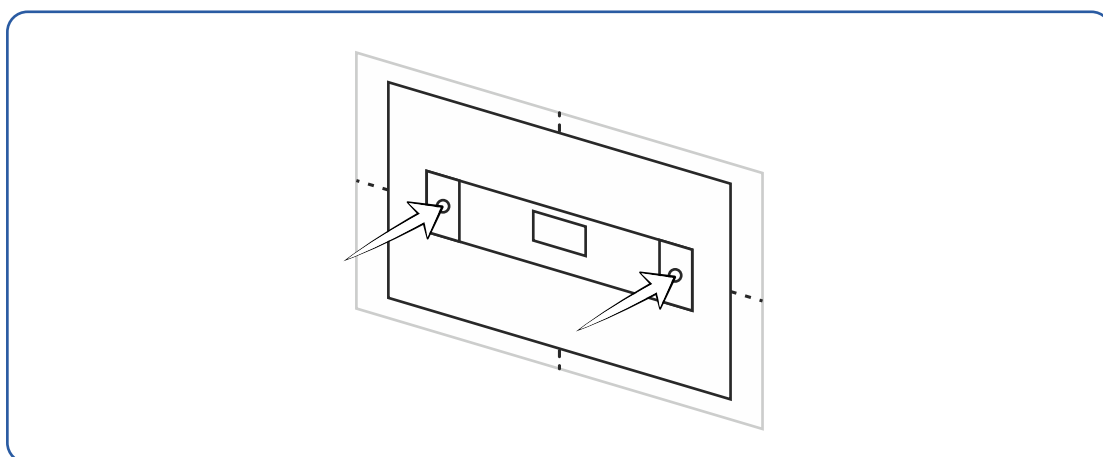


2. If you plan to use the provided template, affix the template with tape to the wall, making sure that it aligns with the two previously drawn lines.

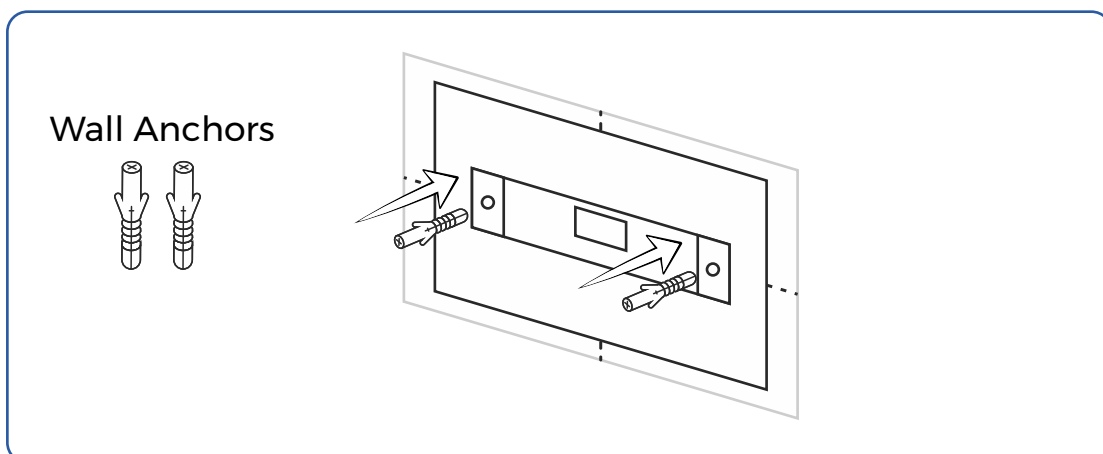
Alternatively, you may also position the range hood along the vertical and horizontal lines and mark the location of the mounting holes on the wall.



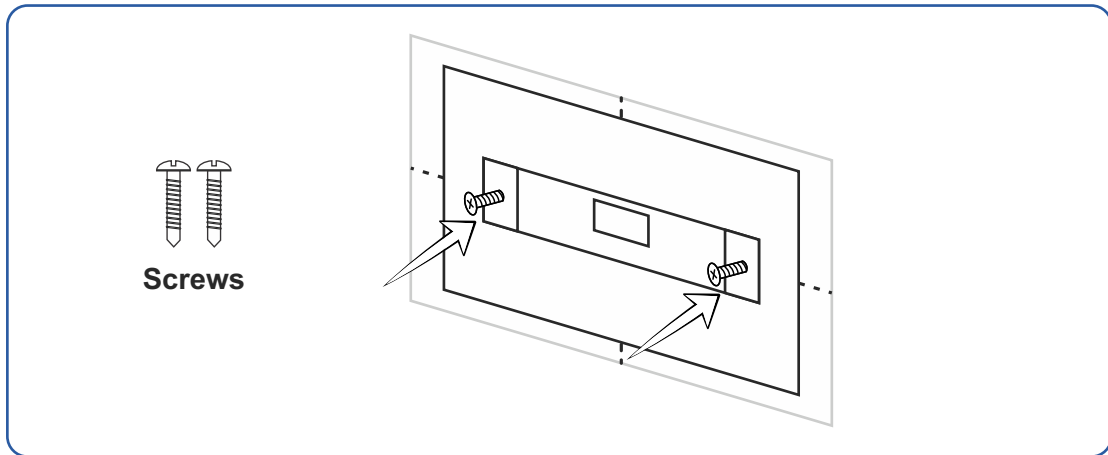
3. Use a 5/16" [8mm] drill bit to make (2) pilot holes in the wall at the marked locations. For wood, use a 5/32" drill bit.



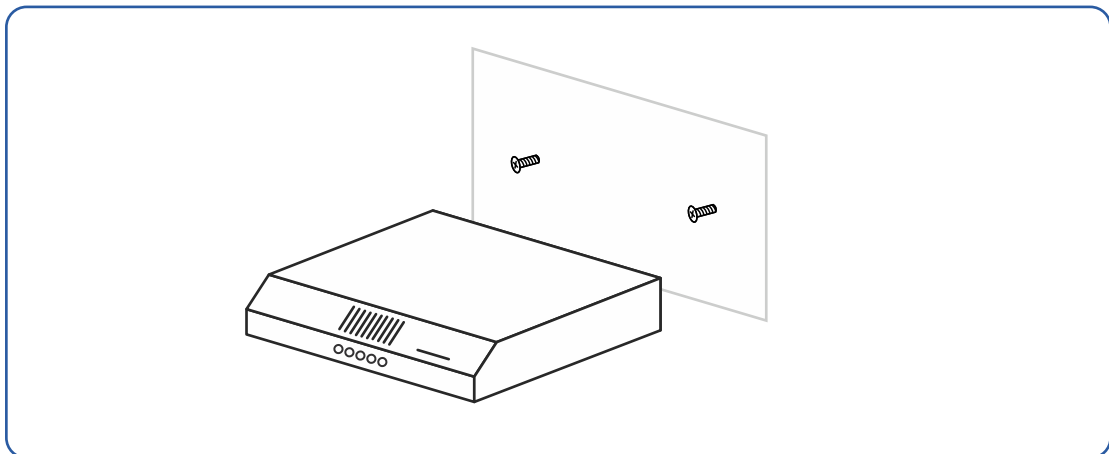
4. Insert the plastic wall anchors firmly into the drilled holes.



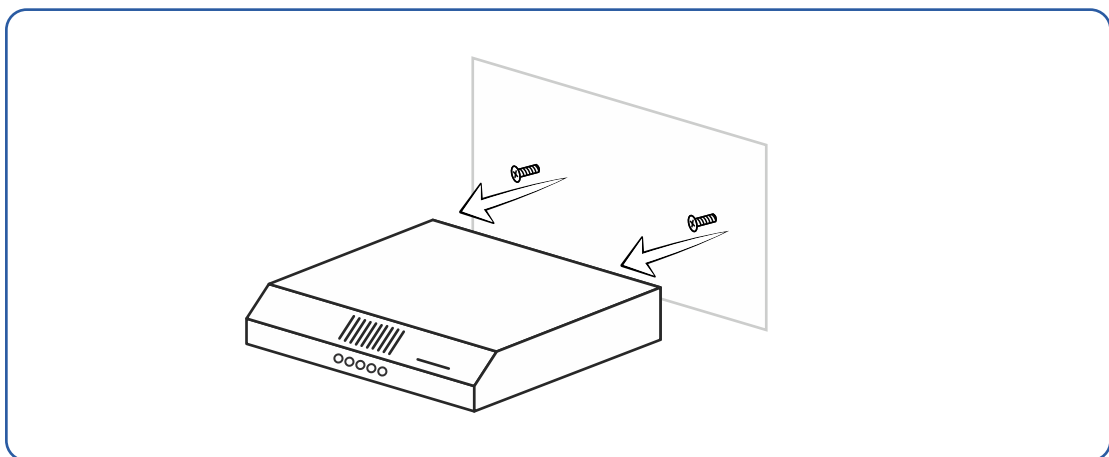
5. Insert (2) ST4*30 screws into the plastic wall anchors, leaving about 1/4 inch of the screw protruding from the cabinet. It will be tightened after the range hood is hung.



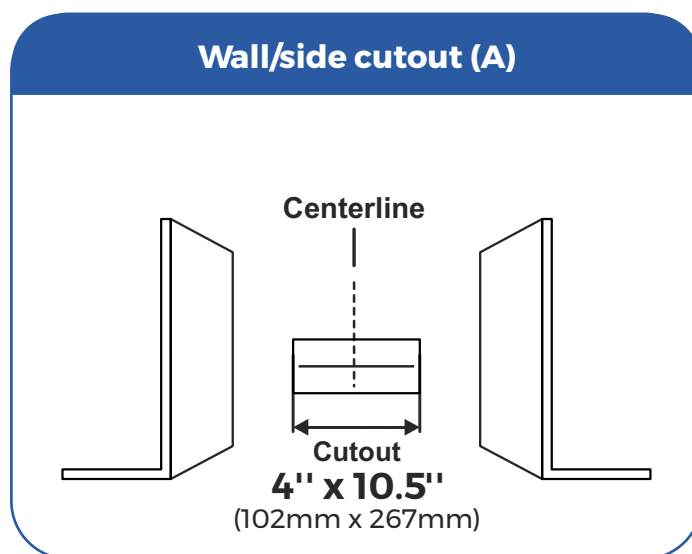
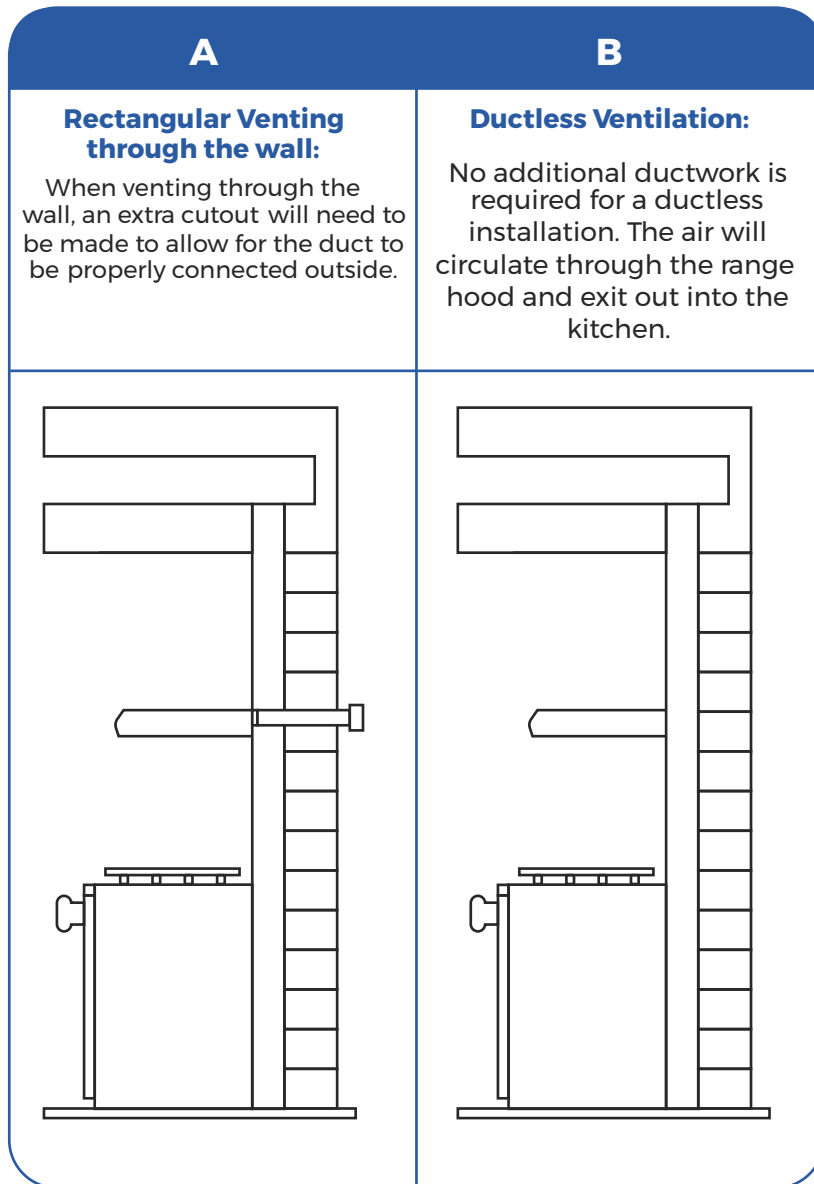
6. Check for stability by mounting the range hood onto the screws and ensuring it fits tightly and securely.



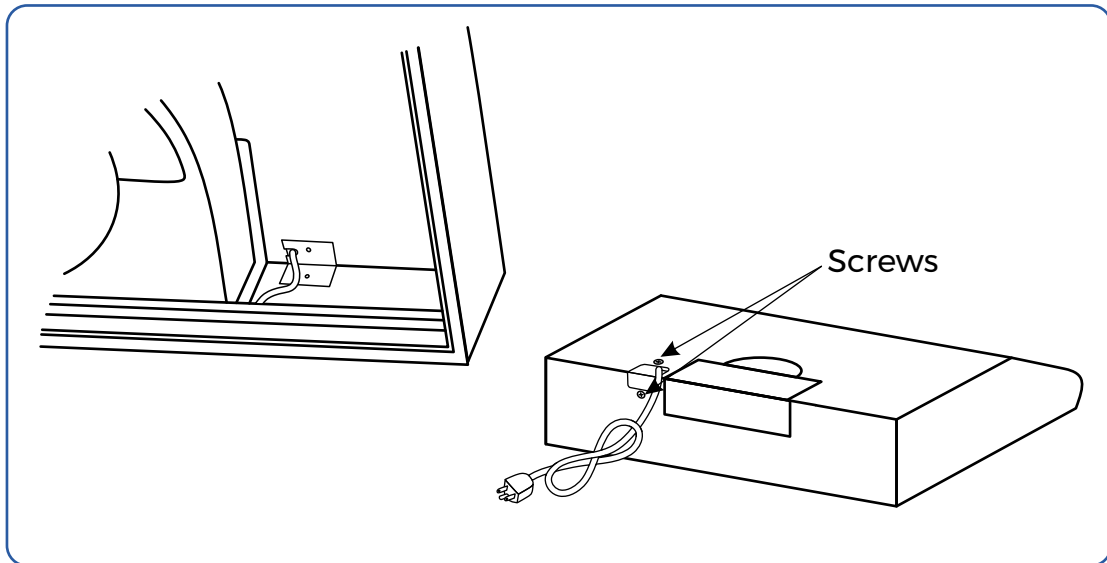
7. Remove the range hood from the mounting screws.



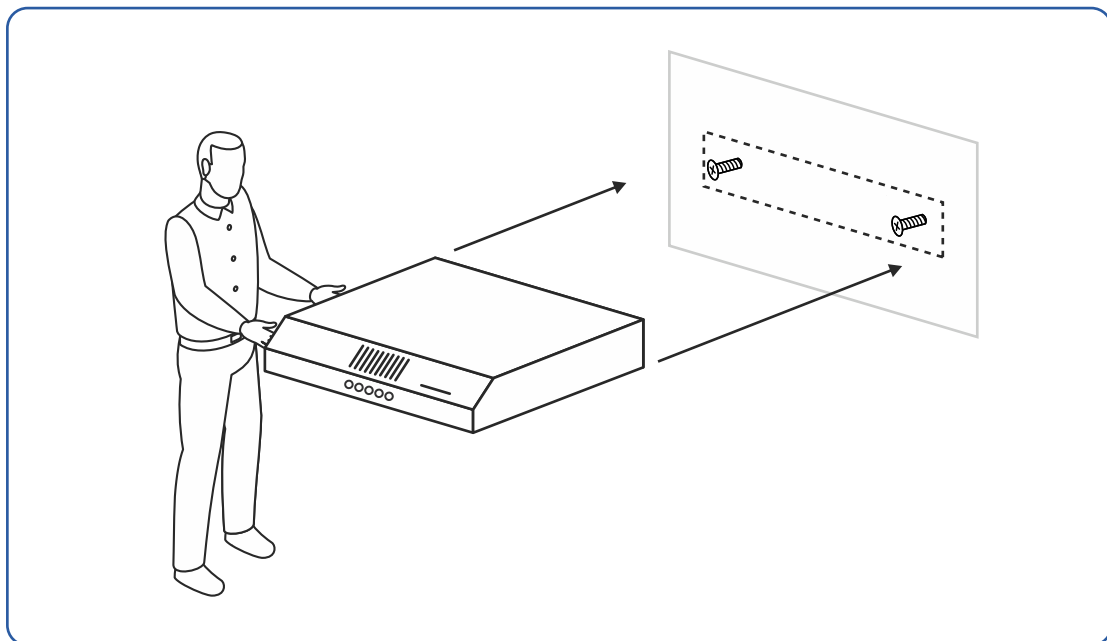
8. There are multiple ventilation choices available for the range hood.



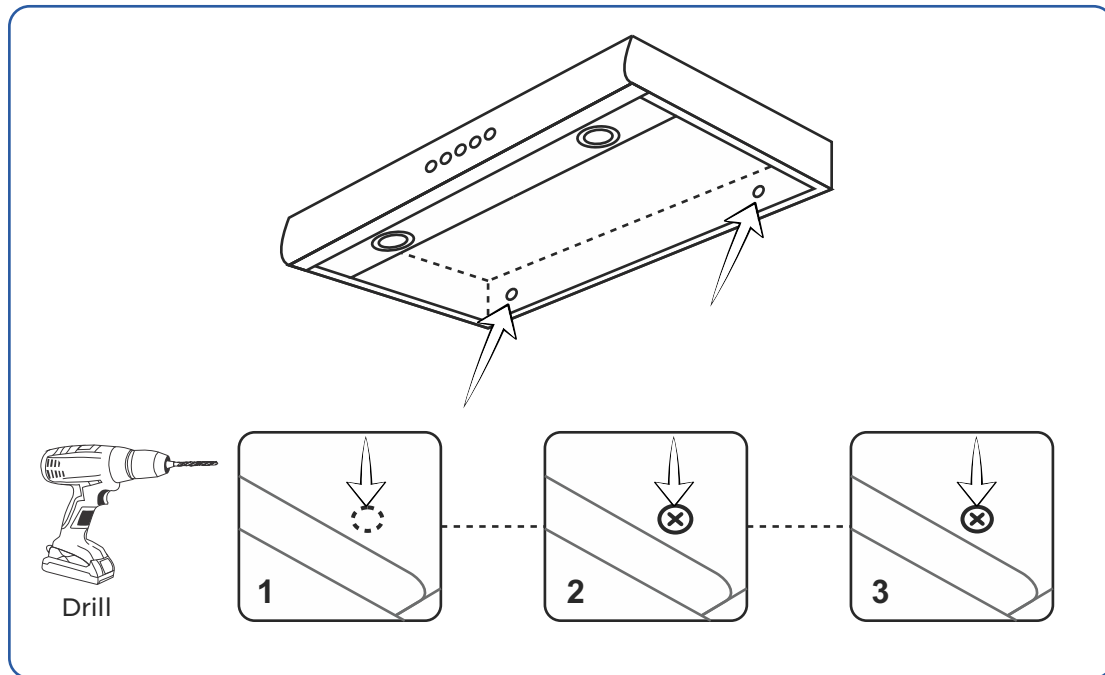
9. For wall-mounted range hoods, pull the power cord from the top, adjust the L-shaped bracket as shown below, secure the power cord, and tighten the screws from the exterior.



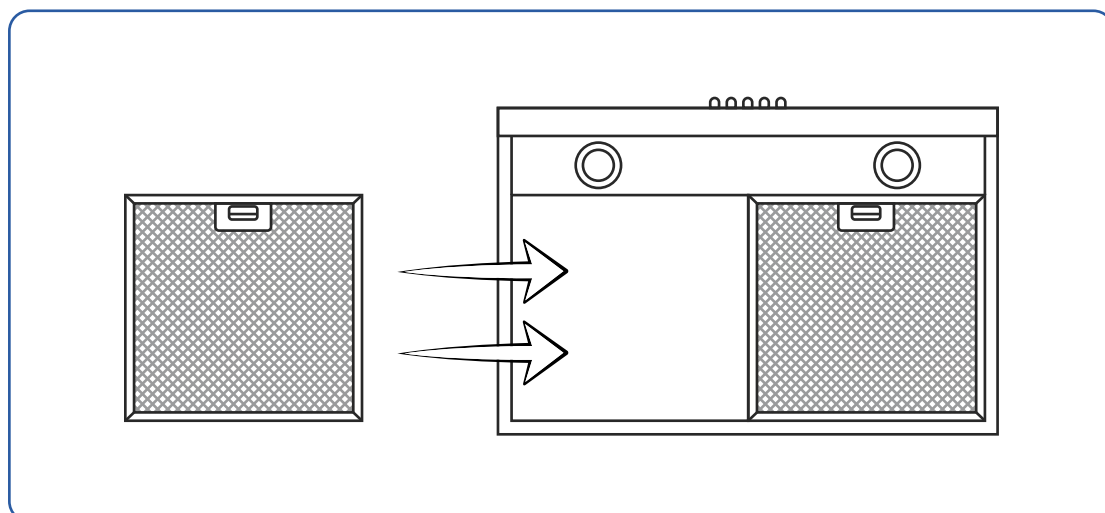
10. Lift and hang the range hood on the previously drilled screws.



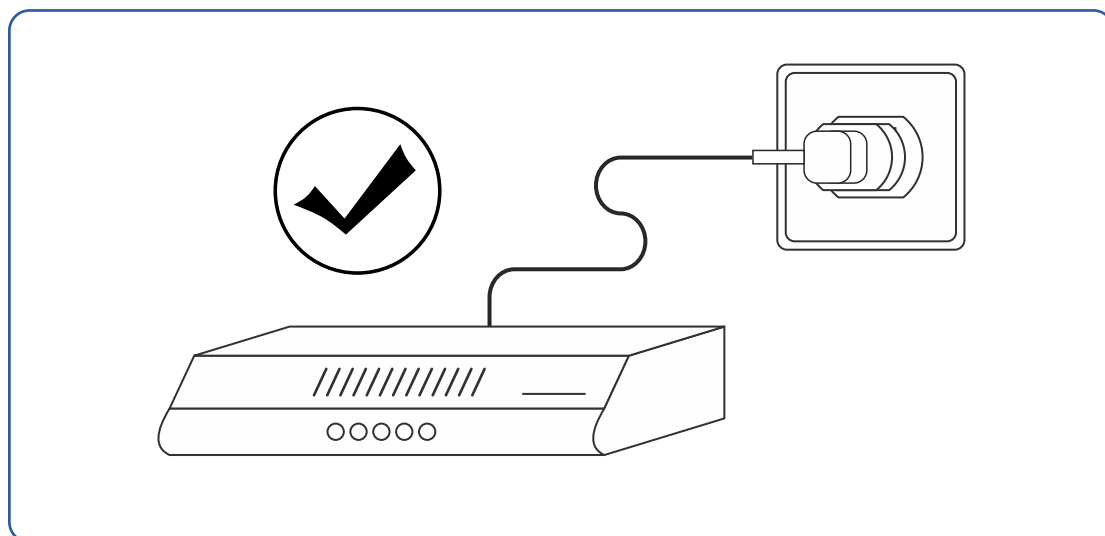
11. At the back of the range hood, right below the mounting holes, there will be 2 visible holes (1 on each side). These are additional safety holes to help secure the range hood in position.
- Use a 5/16" [8mm] drill bit to make pilot holes in the cabinet at the marked locations. For wood, use a 5/32" drill bit.
 - Fasten the range hood using (2) ST4*30 screws.
 - Tighten the four initial mounting screws that you drilled into the cabinet.



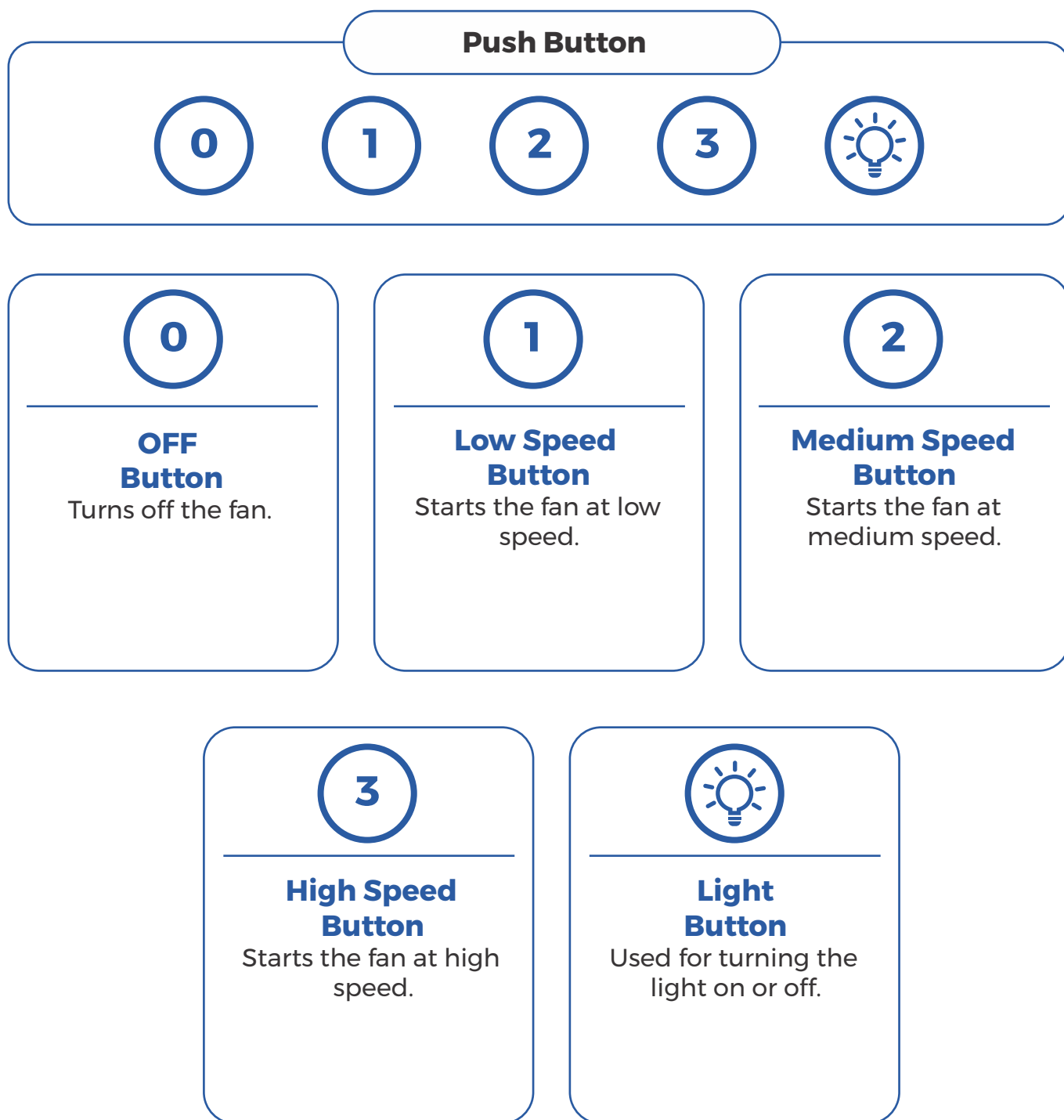
12. **FOR DUCTLESS INSTALLATION ONLY:** Attach the provided charcoal filters onto the range hood motor. For detailed instructions on how to insert the charcoal filters, please see Section 11 on page #45.
13. Re-insert either the mesh or baffle filters into the range hood.



14. Plug in the range hood to the electrical outlet. Make sure that all operations are functioning properly.



9. Control Panel Operation



- To turn the range hood on, simply push the selected speed button (1,2,3).
- To turn the range hood off, push the 0 button.
- To turn the light on/off, press the LIGHT button. The LIGHT button works without having to push the ON/OFF button for the range hood.

Electronic Push Button



Light Button

Used for turning the light on or off.



High Speed Button

Starts the fan at high speed.



Medium Speed Button

Starts the fan at medium speed.



Low Speed Button

Starts the fan at low speed.



OFF Button

Turns off the fan.

- To turn the range hood on, simply push the selected speed button.
- To turn the range hood off, push the OFF button.
 - Pushing the OFF button once delays the turn off time by 1 minute.
 - Pushing the OFF button twice turns it off immediately.
- To turn the light on/off, press the LIGHT button. The LIGHT button works without having to push the ON/OFF button for the range hood.

Electronic Touch Panel



Light Button

Used for turning the light on or off.



Timer

Allows for a delayed shutdown of the range hood.



Speed Button

Changes the speed of the motor from high, medium, and low levels.



ON/OFF Button

Turns the fan on or off.

Electronic Touch Panel

- To turn the range hood on, press the ON/OFF button.
- To turn the range hood off, push the ON/OFF button.
 - Pressing the OFF button once delays the turn-off time by 1 minute.
 - Pressing the OFF button again will turn the range hood off immediately.
- To turn the light on/off, press the LIGHT button. The LIGHT button works without having to push the ON/OFF button for the range hood.

Selecting A Speed

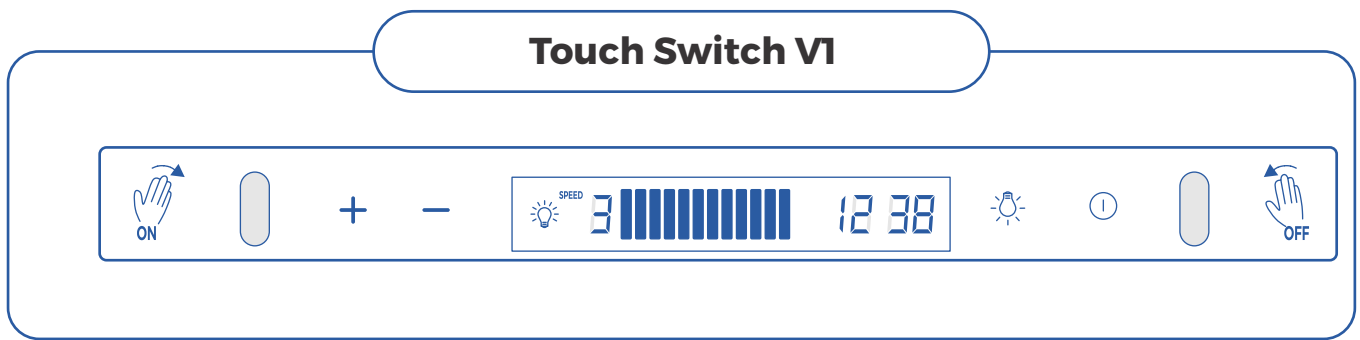
- To select the range hood speed, press the SPEED button.
 - F3- Highest Speed Setting
 - F2- Medium Speed Setting
 - F1- Lowest Speed Setting
 - Pressing the SPEED button a fourth time will display the clock.

Setting the Clock

- Hold the TIMER button until the display begins to blink.
- Once the display starts to blink, press the SPEED button to cycle through and adjust the hour setting.
- Press the LIGHT button to cycle through and adjust the minute setting.
- Once done, press the TIMER button to complete the changes.
- Please note that the time setting only displays in a 12-hour format. It cannot display in a 24-hour format.

Delayed Shutdown

- Once the range hood is ON and the fan is operational, press the TIMER button.
- The default delayed shutdown time is 3 minutes.
- To change the delay time, simply continue holding the TIMER button and adjust the time as necessary (Between 1-60 minutes).
- After 10 seconds, the clock will blink, and the countdown will begin automatically. Once the countdown is complete, the range hood will automatically turn off.
- Please note that the previously set delay time will reset after shutdown to the standard 3 minutes.



ON/OFF Button

- To turn the range hood on, press the ON/OFF button. The range hood will enter standby mode. If after 1 minute an operation is not selected, the range hood will automatically turn off.
 - To turn the range hood off, press the ON/OFF button.
- When the range hood is operational, pressing the ON/OFF button once delays the turn-off time by 5 minutes. During the 5-minute period, the speed switch function will NOT be available.
 - Pressing the ON/OFF button again thereafter will turn the range hood off immediately.

Light Control

- Press the Light Control function to turn the light ON or OFF. The range hood itself does NOT need to be powered on for the light function to work. It can work exclusive of the other range hood functions.

Clock Function

- When the range hood is turned off, hold the LIGHT button for 3 seconds until all the indicators begin to blink.
 - Press the +/- button to cycle through and adjust the hour setting.
 - Once done, press the LIGHT button again to access the minute setting, and then press either the +/- buttons to cycle through and adjust the minute setting.
- Once complete, press the LIGHT button to complete the changes. If after 10 seconds there is no button or operation selected, the settings will save automatically.
- Please note that the time setting only displays in a 12-hour format. It cannot display in a 24-hour format.

Delayed Shutdown:

- When the range hood is off, long press the ON button for 3 seconds. The display will blink and show 5:00.
 - The default delayed shutdown time is 5 minutes.
 - To change the delay time, simply press the +/- buttons to adjust the shutdown time as necessary (Between 1-60 minutes).

- After 10 seconds, the clock will blink, and the countdown will begin automatically. Once the countdown is complete, the range hood will automatically turn off.
- Please note that the previously set delay time will reset after shutdown to the standard 5 minutes.

Gesture Function

1. When the range hood is turned off, wave from left to right for the first time, and the range hood will turn on start operating at the lowest speed with the lights on.
2. Waving again will increase the speed.
3. When the motor is running at its highest speed, waving from left to right will cycle through and return the hood back to the lowest speed setting.
 - a. If the range hood is already on and you wave from left to right, the range hood will continue to increase the speed and continue to cycle through speeds F1,F2,F3 as you continue to wave from left to right.
4. When the range hood is on, waving from right to left will turn on the 3-minute delay shutdown, and the range hood turn off once the 3-minute countdown has been completed.
 - a. Waving again immediately from right to left will turn off the range hood immediately without waiting for the 3-minute countdown.
5. Waving from right to left when the range hood is turned off will have no function.

Please note that the distance the hand should be waved from the switch is around 4-6" (11-15cm).

Selecting A Speed

F3- Highest Speed Setting

F2- Medium Speed Setting

F1 - Lowest Speed Setting

- When the range hood is on standby mode, press the - button will have the range hood be set to run at the lowest speed.
 1. When the range hood is running, press the + button to increase the speed.
 2. When the range hood is running, press the - button to decrease the speed.

Touch Switch V2



ON/OFF Button

- To turn the range hood on, press the ON/OFF button. The range hood will enter standby mode. If after 1 minute an operation is not selected, the range hood will automatically turn off.
 - To turn the range hood off, press the ON/OFF button.
- When the range hood is operational, pressing the OFF button once delays the turn-off time by 1 minute. During the 1-minute period, the lights and the speed switch functions are available.
 - Pressing the TIMER button will turn off the timer function and keep the range hood in the previous status.
 - Pressing the OFF button again thereafter will turn the range hood off immediately.

Light Control

- Press the Light Control function to turn the light ON or OFF. The range hood itself does NOT need to be powered on for the light function to work. It can work exclusive of the other range hood functions.

Delayed Shutdown:

- Once the range hood is ON and the fan is operational, press the TIMER button. The display will begin blinking.
 - The default delayed shutdown time is 3 minutes.
 - To change the delay time, simply continue pressing the TIMER button and adjust the time as necessary (Between 1-60 minutes).
 - After 10 seconds, the clock will blink, and the countdown will begin automatically. Once the countdown is complete, the range hood will automatically turn off.
 - Please note that the previously set delay time will reset after shutdown to the standard 3 minutes.

Clock Function

- When the range hood is turned off, hold the TIMER button for 3 seconds until all the indicators begin to blink.
 - Once the +/- signs begin to blink, press the + button to cycle through and adjust the hour setting.
 - Press the - button to cycle through and adjust the minute setting.

- Once done, press the TIMER button to complete the changes. If after 10 seconds there is no button selected, the settings will save automatically.
- Please note that the time setting only displays in a 12-hour format. It cannot display in a 24-hour format.

Selecting A Speed

F3- Highest Speed Setting

F2- Medium Speed Setting

F1 - Lowest Speed Setting

1. When the range hood is on standby mode or already running at speeds F1 or F2, pressing the FUNCTION button will have the range hood be set to run at the highest speed. Pressing the FUNCTION button again will return the range hood back to standby mode.
2. When in standby mode, pressing the + button will default to having the motor running at the highest speed.
3. When in standby mode, pressing the - button will default to having the motor running at the lowest speed.
4. When the range hood is turned on, press the + button to increase the speed.
5. When the range hood is turned on, press the - button to decrease the speed.

Gesture Function

1. When the range hood is turned off, wave from left to right for the first time, and the range hood will turn on start operating at the lowest speed with the lights on.
2. Waving again will increase the speed.
 - a. If the range hood is already on and you wave from left to right, the range hood will continue to increase the speed and continue to cycle through speeds F1,F2,F3 as you continue to wave from left to right.
3. When the motor is running at its highest speed, waving from left to right will cycle through and return the hood back to the lowest speed setting.
4. When the range hood is on, waving from right to left will turn on the 3-minute delay shutdown, and the range hood turn off once the 3-minute countdown has been completed.
 - a. Waving again immediately from right to left will turn off the range hood immediately without waiting for the 3-minute countdown.
5. Waving from right to left when the range hood is turned off will have no function.

Please note that the distance the hand should be waved from the switch is around 4-6" (11-15cm).

10. Product Care & Maintenance



Ensure that safety grills and filters are in place before operating the range hood. Without these parts, the operating fan will not be able to circulate properly.



Do NOT leave cooking unattended and ensure not to cook on open flames under the range hood. This increases the chances of flammability.



Never disassemble parts to clean without proper instructions or prior consultation. Disassembly should only be done by a professional.



When frying, please be careful as the pan can easily overheat and catch fire. Ensure to check deep fryers when in use.



If the hood has stains after use, use a stainless-steel cleaner to clean the surface of the hood. Be very careful to ensure the cleaning solution does not get in or onto the electrical wiring. Follow the instructions on the cleaner and DO NOT leave on the range hood for an extended time as it could damage the finish. Use a soft cloth to wipe away the cleaner.



DO NOT allow salt solutions, disinfectants, bleaches, or cleaning compounds to remain in contact with stainless steel for extended periods. Many of these compounds contain chemicals, which may be harmful. Rinse with water after exposure to these compounds and wipe dry with a clean cloth.



The buildup of greasy residue in the fan and filter may cause an increase risk of flammability. Please keep the unit clean and free of grease and buildup of residue.

METAL GREASE TRAPPING FILTERS:

These trap the fat and grease particles suspended in the air, and therefore should be washed every month in hot water and detergent. **DO NOT BEND.** Wait until they are completely dry before repositioning them. The metal filters can be cleaned in a dishwasher. Please wear gloves while cleaning filters to protect against scrapes or cuts. Exercise caution around sharp metal edges and corners. Frequent cleaning of the filters will ensure that fats and grease do not accumulate on the cooker hood with the consequent risk of fire.

WASH IN
HOT WATER



DISHWASHER
SAFE



WEAR
GLOVES



DO NOT BEND



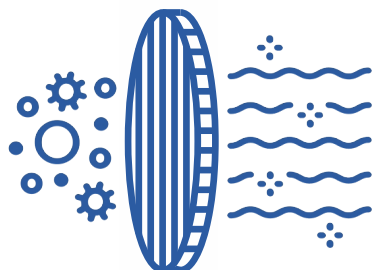
SHARP METAL
CORNERS



RISK OF FIRE



CHARCOAL FILTERS:



These trap odors present in the stream of air that passes through them. The air is purified by passing a number of times through the filters and then recirculated into the kitchen. The charcoal filters **CANNOT** be cleaned, and should be replaced on average every 3-4 months (according to use).

CLEANING THE OUTSIDE OF THE APPLIANCE:



The outside of the range hood should be cleaned using a damp cloth and neutral liquid detergent or denatured alcohol.

Do not use products that contain abrasive substances, rough cloths, or cloths specifically not designed for cleaning steel.

Using abrasive substances or rough cloths will inevitably damage the finish of the steel.

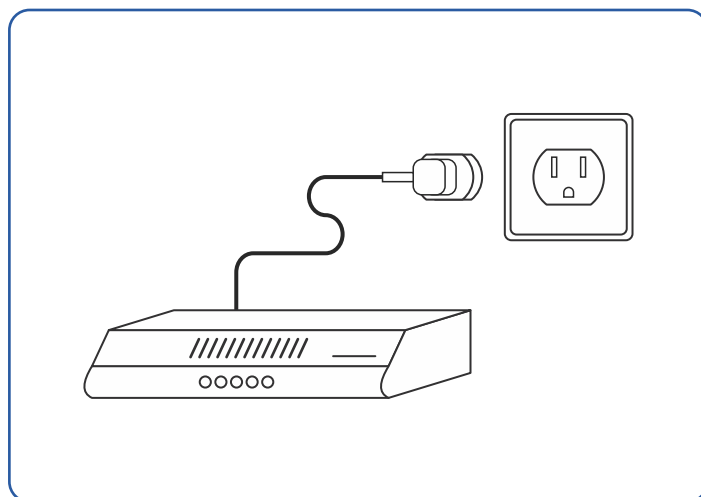
The steel surface will be irrevocably damaged if the instructions above are not complied with.

The electrical parts or parts of the motor assembly inside the range hood must not be cleaned using liquids or solvents.

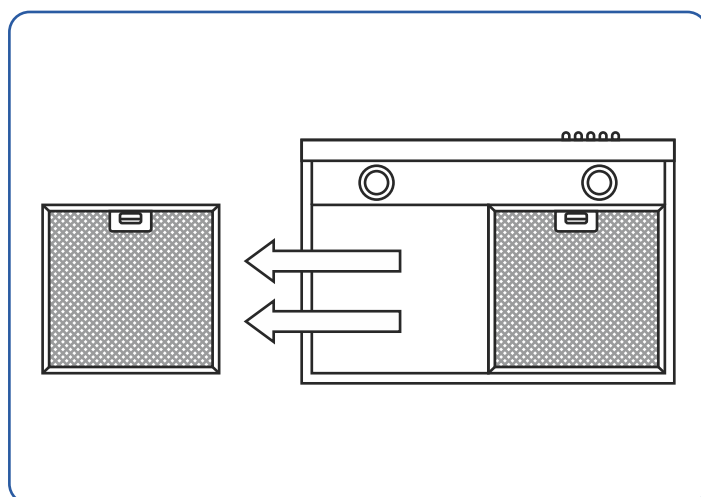
11. LED Light & Charcoal Filter Replacement

LED LIGHT REPLACEMENT

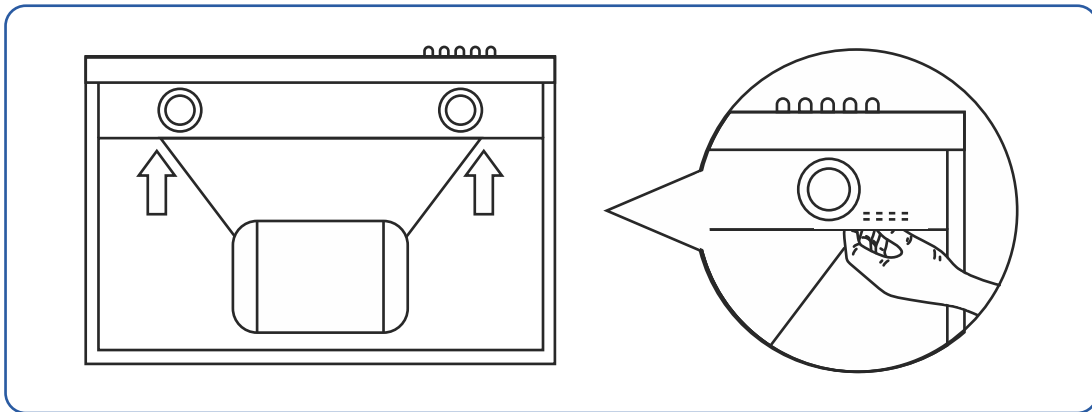
1. Before proceeding, ensure that the range hood is turned off and disconnected from any electrical supply.



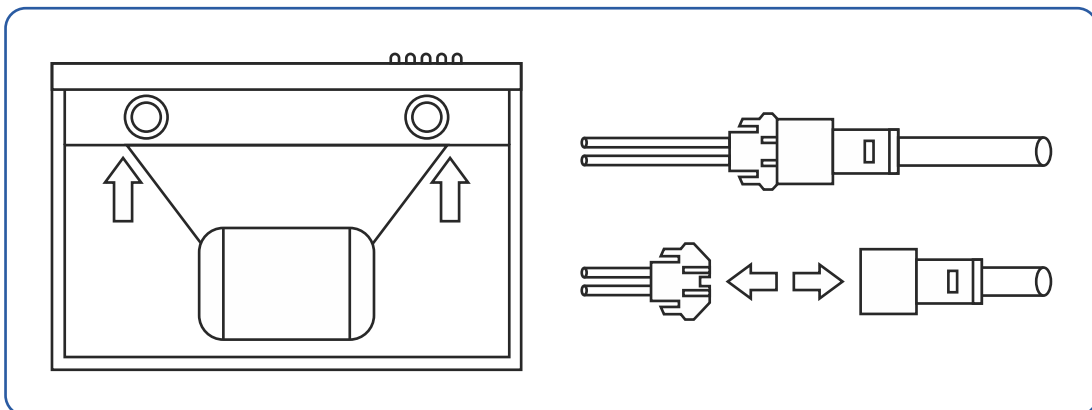
2. Remove the mesh or baffle filters, depending on the range hood that was purchased.



3. The electrical wire for the LED lights can be found behind the light fixtures.

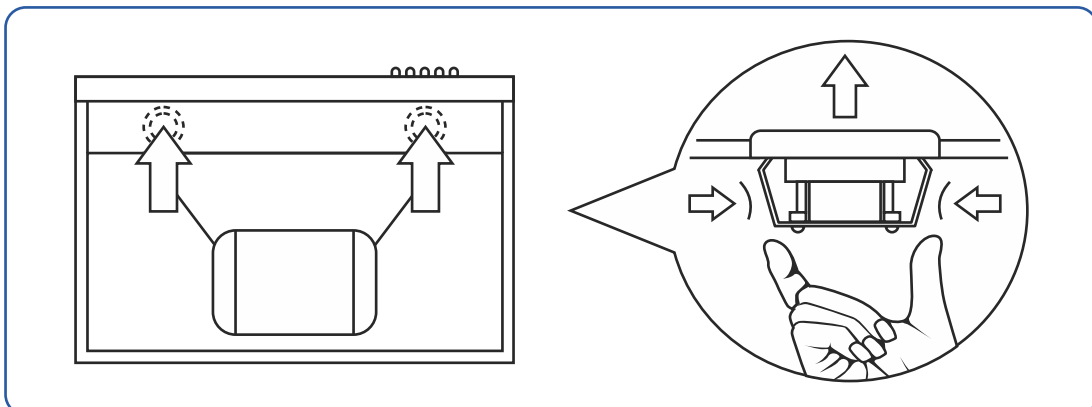


4. The wires for the LED lights are connected using a snap-down connector. To disconnect the LED lights, press down on the connector and gently pull the opposing electrical wire away from the connector.



5. Take out the LED light by pressing the long silver bar that covers the LED.

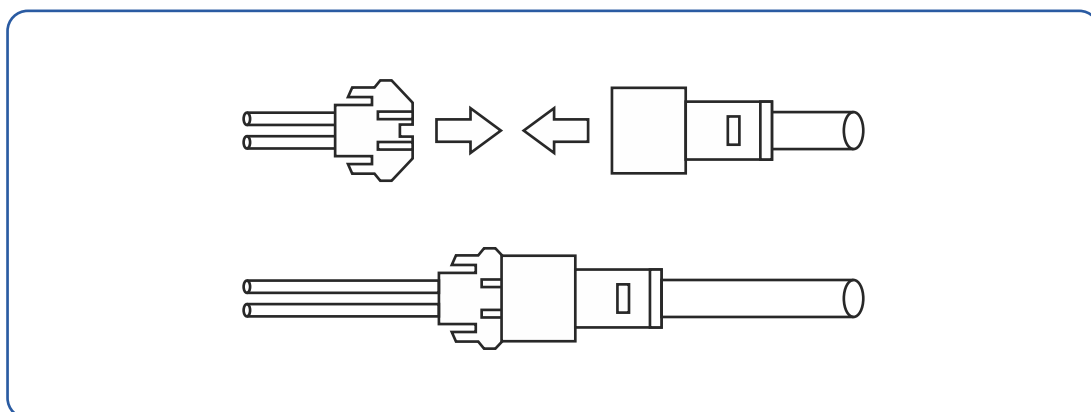
- Push the LED outwards and downwards.



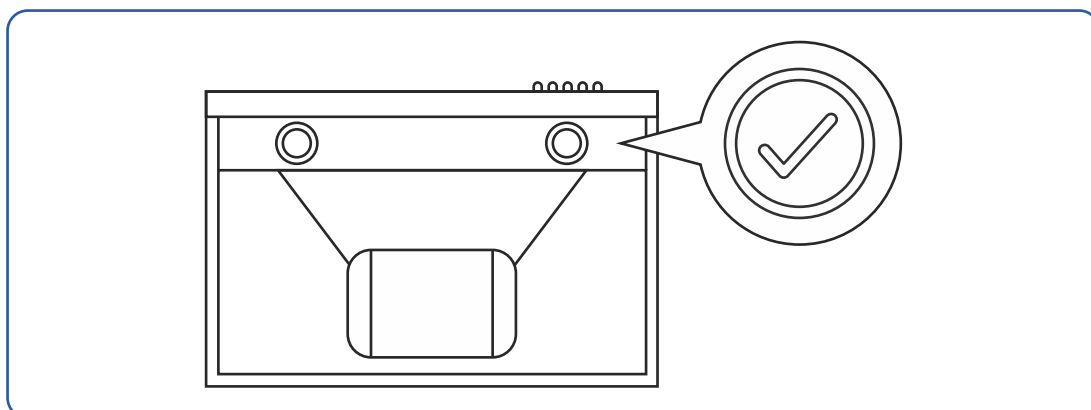
6. Insert the new LED lights into the opening inwards and upwards and apply gentle pressure until you hear a click and feel the light sitting securely in place.



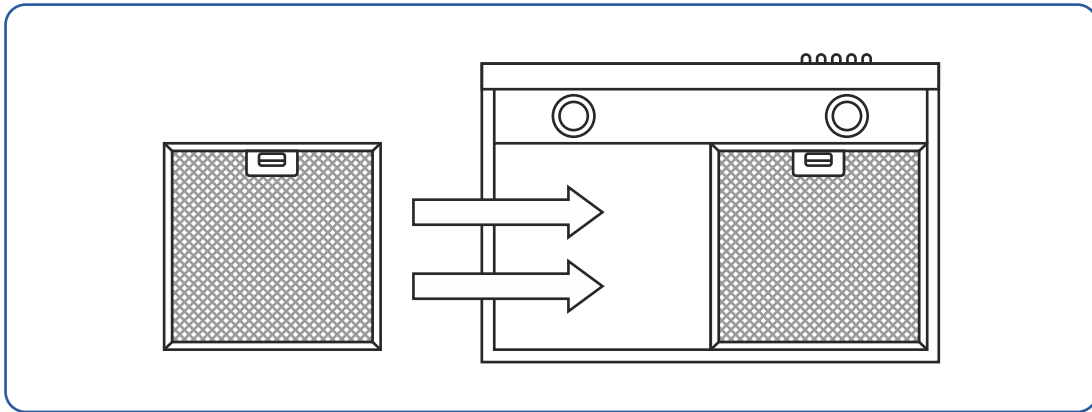
7. Reconnect the electrical wiring in the range hood with the LED snap connector.



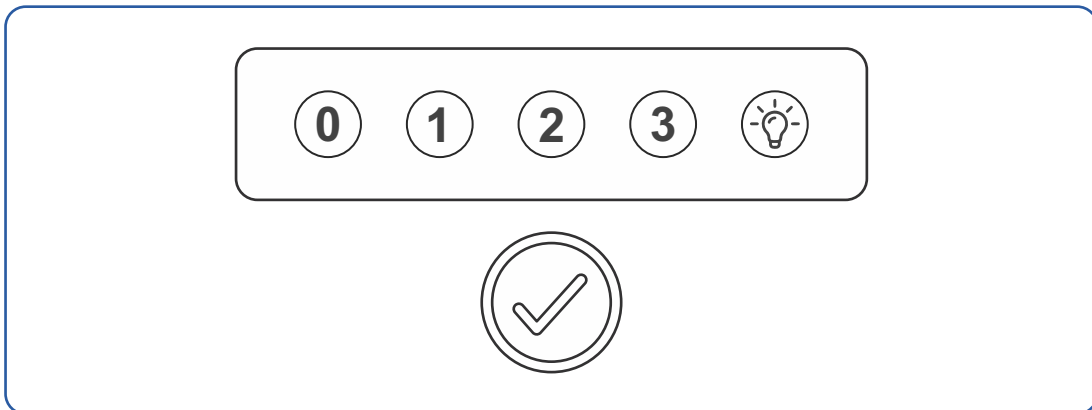
8. Test to make sure that the lights are working properly.



9. Place the filters back into their original position.

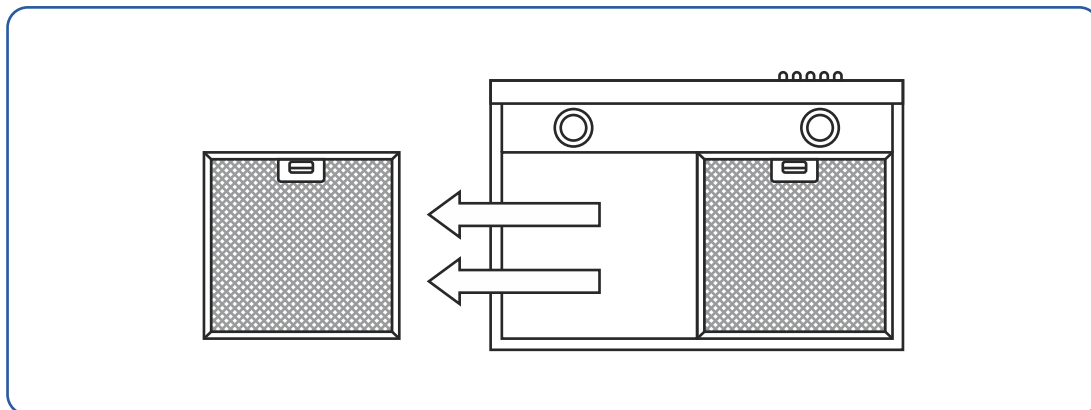


9. Turn the range hood back on.

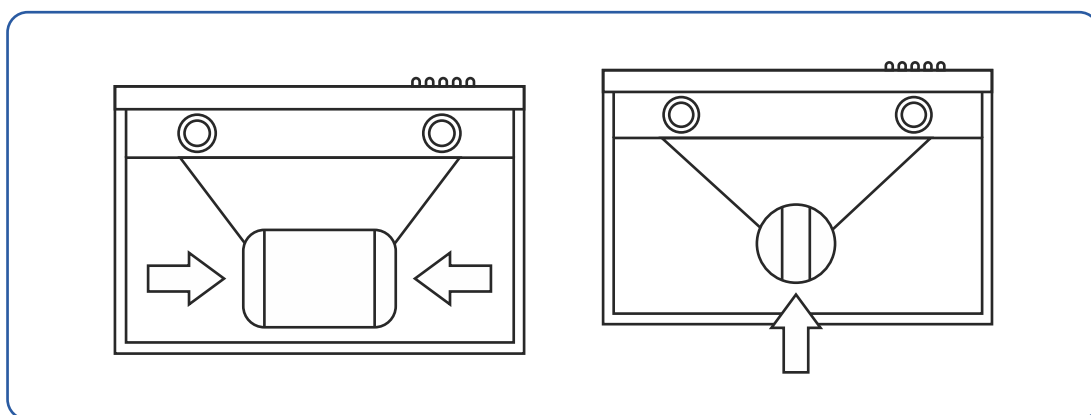


CHARCOAL FILTER INSTALLATION AND REPLACEMENT

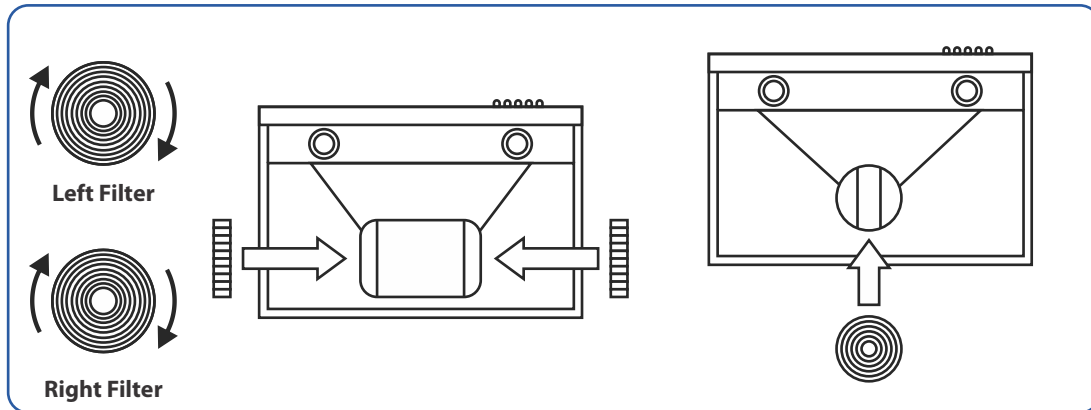
1. Remove the mesh or baffle filters, depending on the range hood that was purchased.



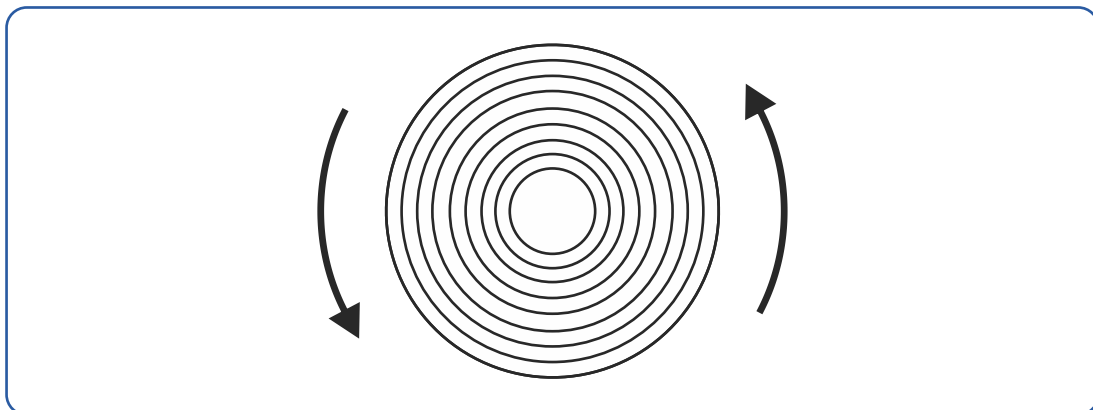
2. The placement of the charcoal filter varies depending on the model. In some models that only require 1 charcoal filter, the opening is in the middle of the motor. For models that require 2 charcoal filters, the openings are positioned on the sides of the motor. If you have any inquiries regarding the specific model that you have purchased, please don't hesitate to contact our support team.



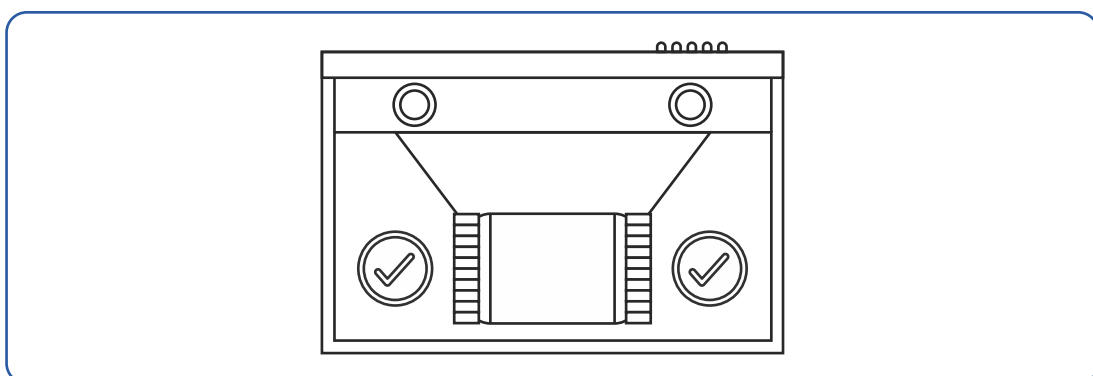
3. Take one filter and attach it to the motor. Rotate and twist it clockwise until it locks in place. If your range hood model calls for two filters to be installed, then the filters should be installed on each side. Repeat the previous step by taking another charcoal filter and attaching it to the other side of the motor. Rotate and twist it clockwise until it locks in place.



4. To replace the filter, rotate it counterclockwise and then remove it. After that, install the new charcoal filter and twist it clockwise to lock it in place.



5. Ensure that the charcoal filter is correctly locked in place to prevent any abnormal noise or potential danger.



COPYRIGHT NOTICE

This manual and its contents, including but not limited to text, images, graphics, and instructions, are protected by copyright and trademark laws. No part of this manual may be reproduced, distributed, or transmitted in any form or by any means, electronic or mechanical, including photocopying, recording, or by any information storage and retrieval system, without the prior written permission of Streamline.

All product names, logos, and brands are the property of their respective owners. Streamline retains all rights to its trademarks, trade names, and copyrighted materials associated with this product. Unauthorized use of these materials is strictly prohibited and may result in legal action.